

TWIN FLAT

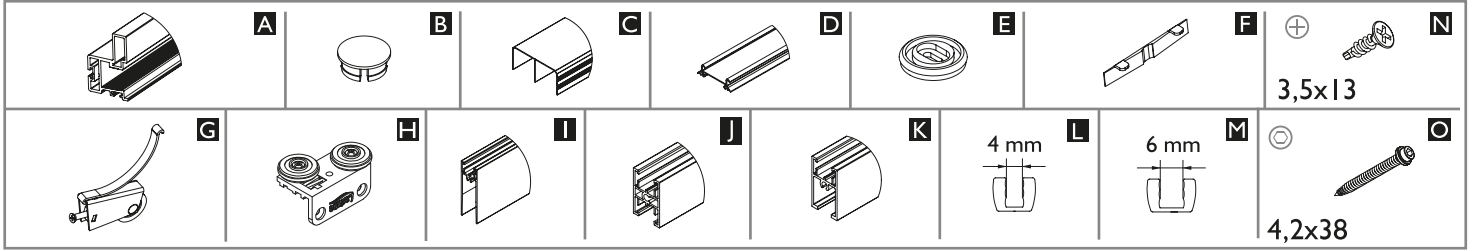
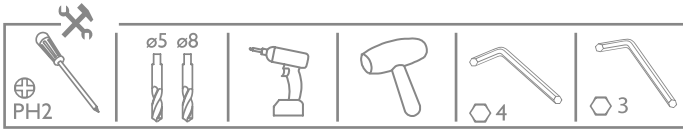
na kolejnici GAMA
lower track GAMA

40
kg

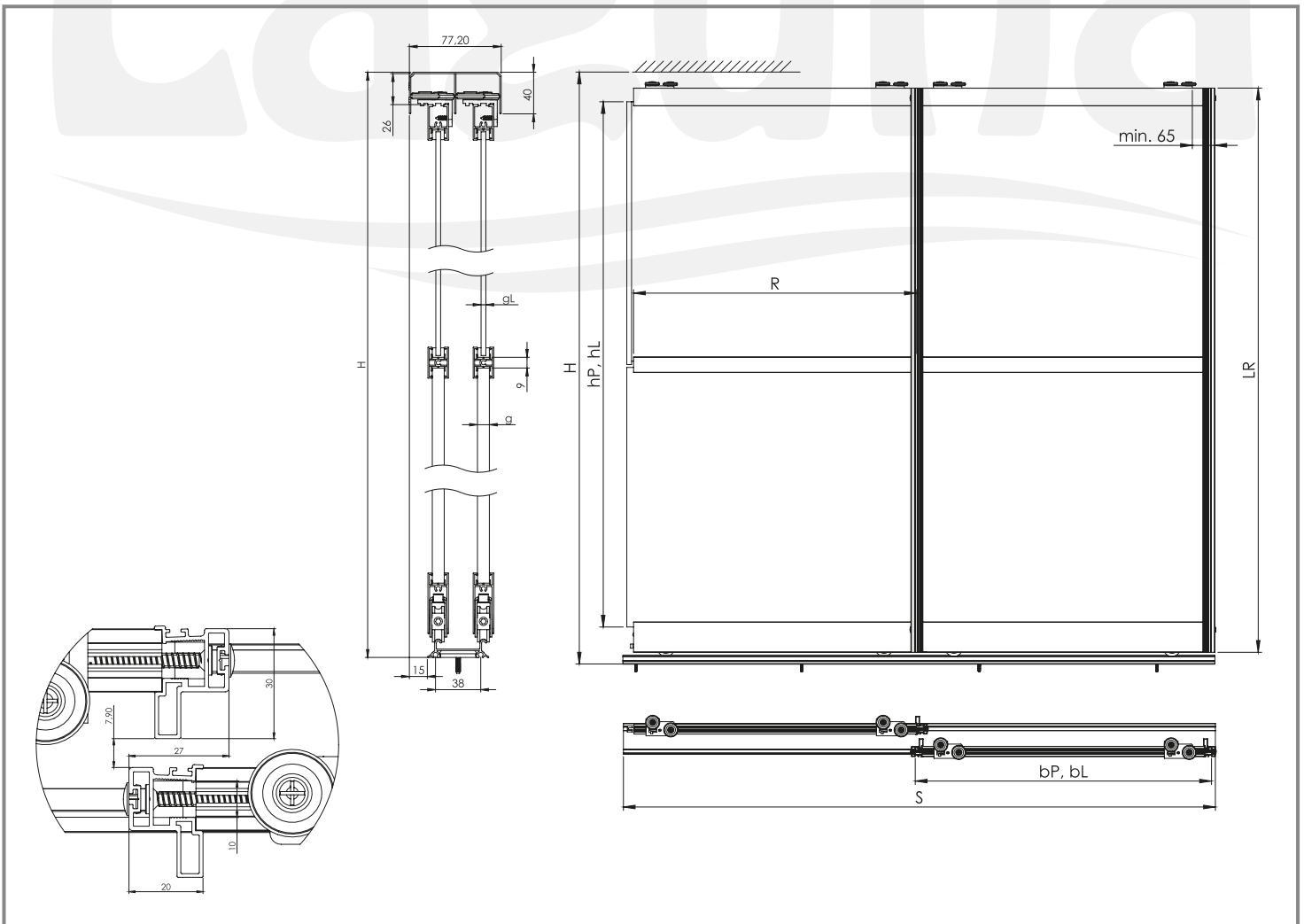
Gama
Gama 2

DESKA | BOARD 10 mm

ZRCADLO | MIRROR 4, 6 mm



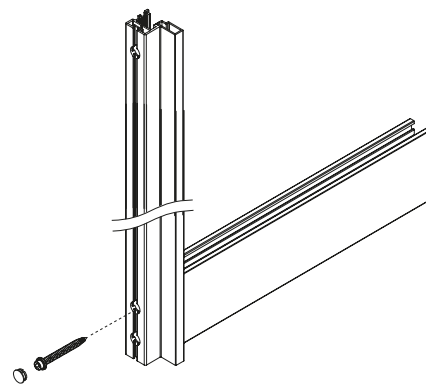
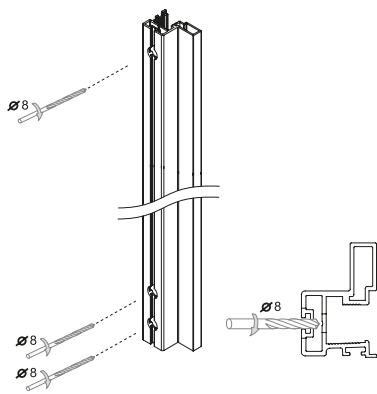
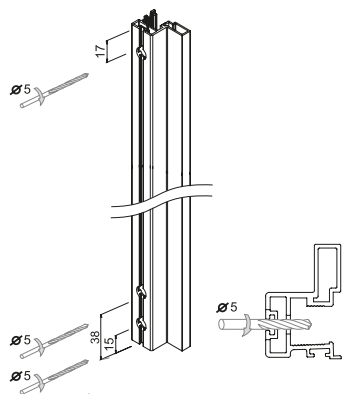
8, 10 mm DESKA BOARD	Počet křídel n / Quantity of doors n	n = 2	n = 3	n = 4	n = 5	n = 6	n = 7	n = 8
	Výška desky hP [mm] / Board height hP [mm]		hP = H-111					
Šířka desky bP [mm] / Board width bP [mm]		$bP = (S-4)/2$	$bP = (S+7)/3$	$bP = (S+18)/4$	$bP = (S+30)/5$	$bP = (S+41)/6$	$bP = (S+53)/7$	$bP = (S+64)/8$
Délka dolního, horního rámu a spojky R [mm] Upper, lower rail and connector length R [mm]		$R = bP-20$						
Délka profilu LR [mm] / Handle length LR [mm]		$LR = H-47$						
4, 6 mm ZRCADLO MIRROR	Výška zrcadla hL [mm] / Mirror height hL [mm]	$hL = H-114$						
Šířka zrcadla bL [mm] / Mirror width bL [mm]		$bL = (S-10)/2$	$bL = (S-2)/3$	$bL = (S+6)/4$	$bL = (S+15)/5$	$bL = (S+23)/6$	$bL = (S+32)/7$	$bL = (S+40)/8$
Délka dolního, horního rámu a spojky R [mm] Upper, lower rail and connector length R [mm]		$R = bL-17$						
Délka profilu LR [mm] / Handle length LR [mm]		$LR = H-47$						



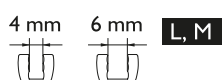
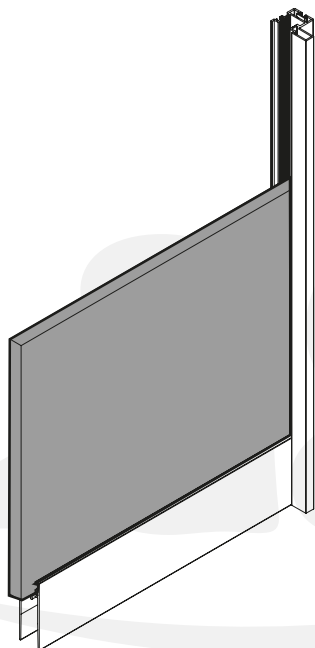
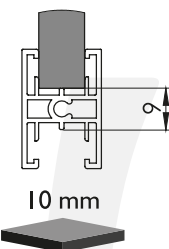


A, B, I, O

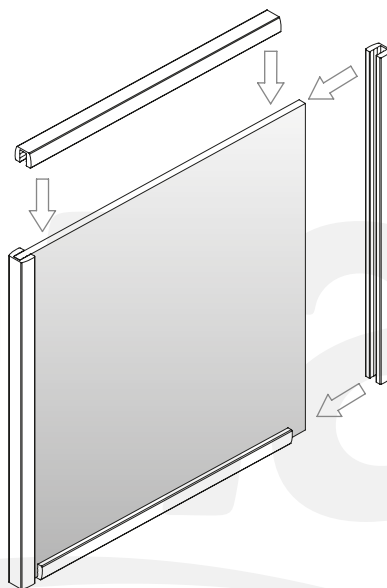
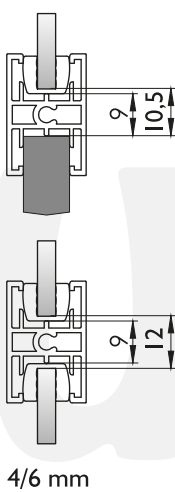
1



2.1



2.2

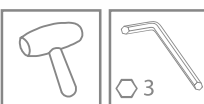
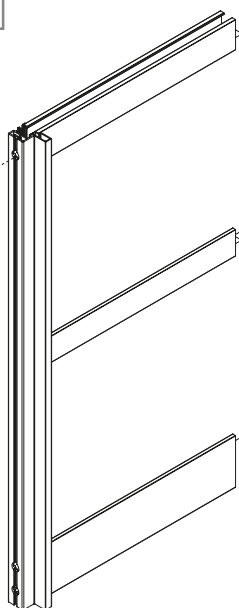
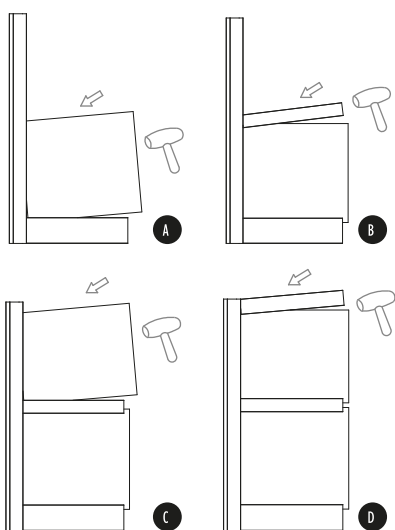


3

A, B, O

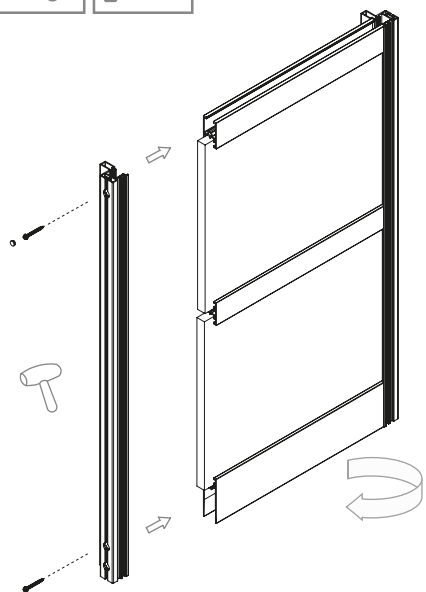


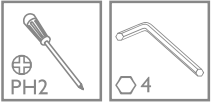
4



A, B, O

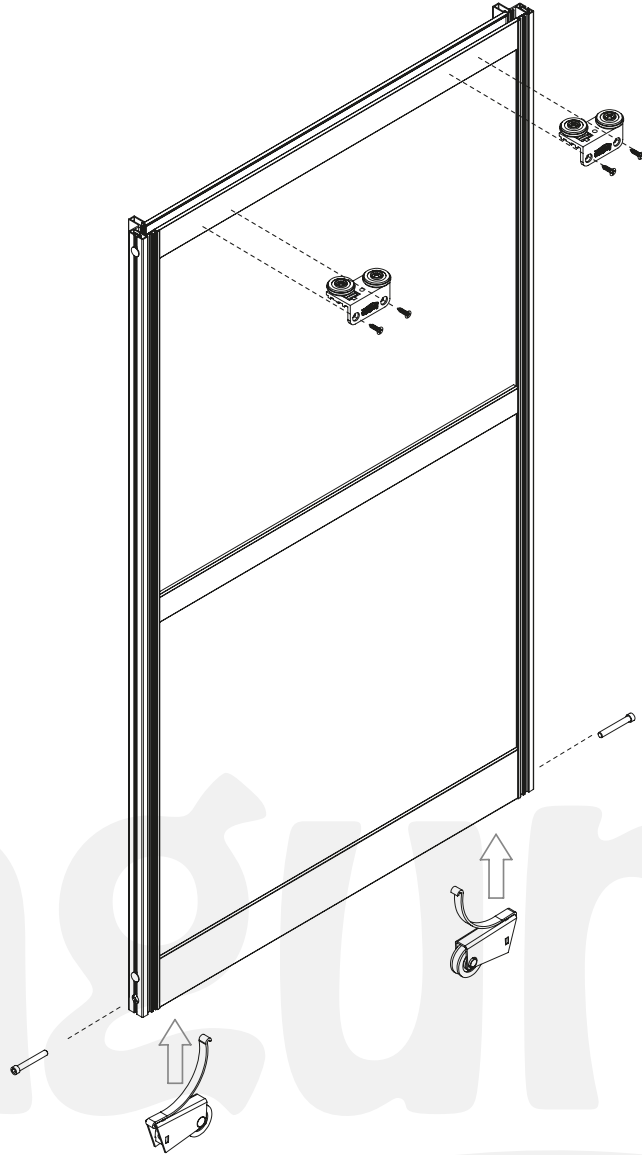
5





G, H, N

5



6

7

