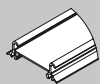


MODERN WIDE

na kolejnici GAMA
lower track GAMA

50
kg

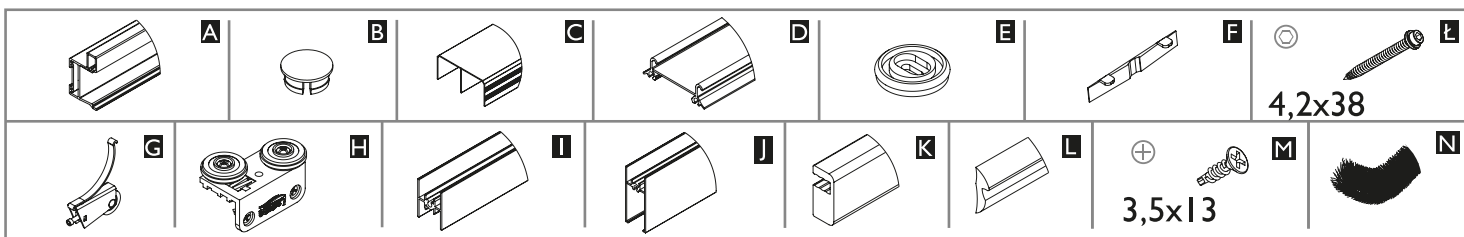
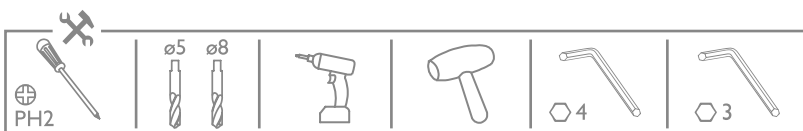


Gama
Gama 2

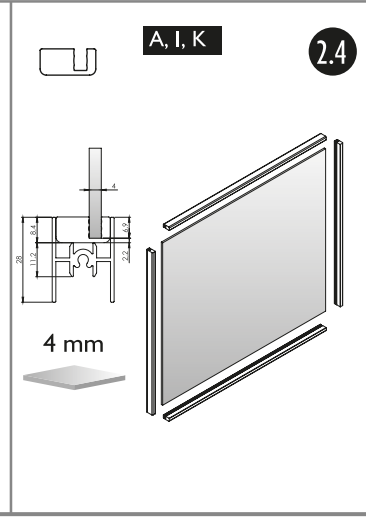
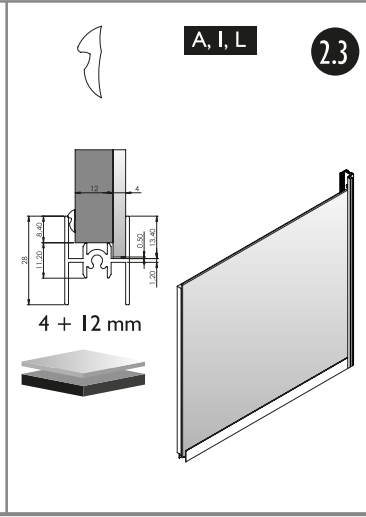
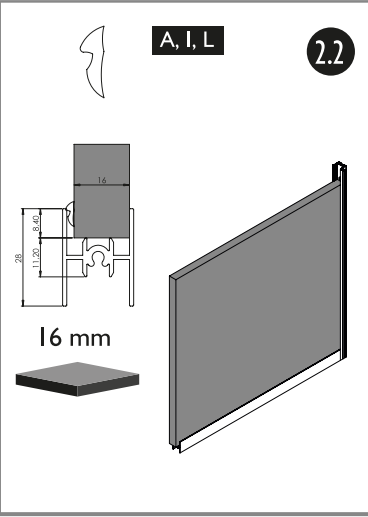
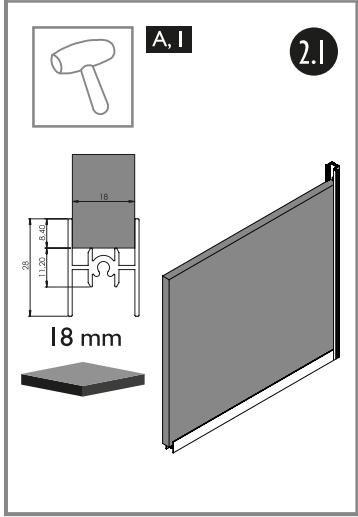
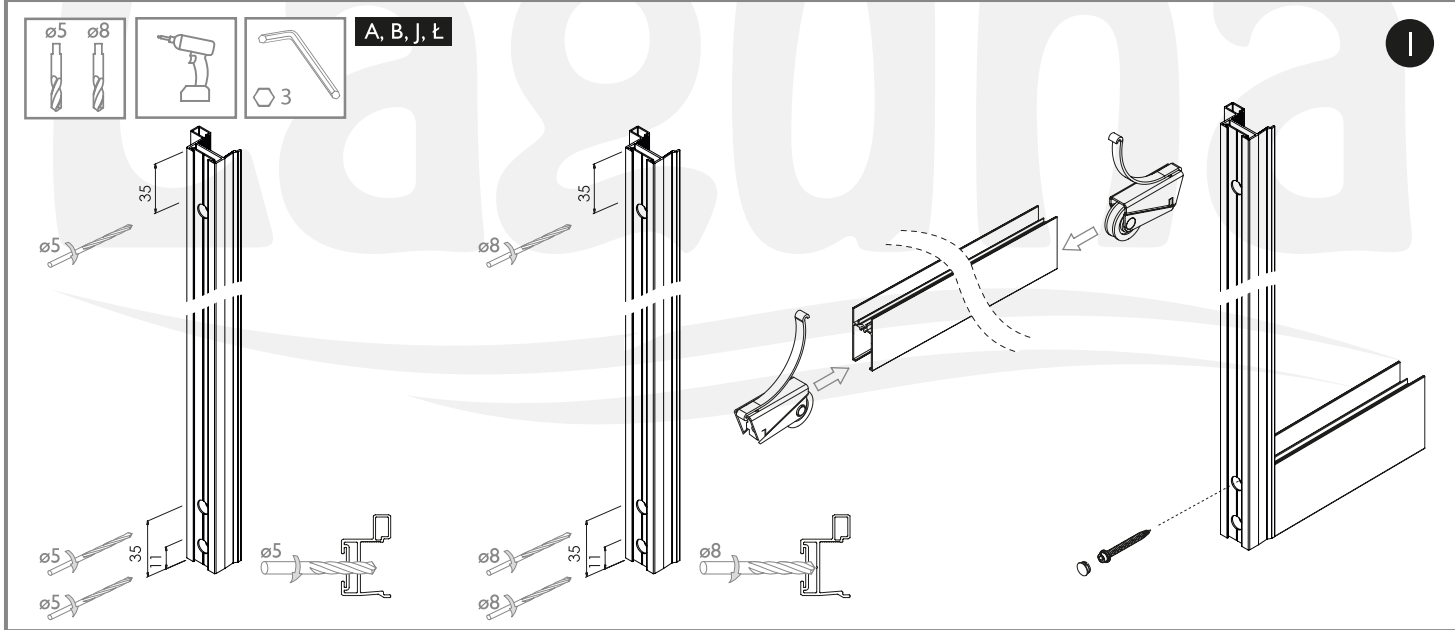
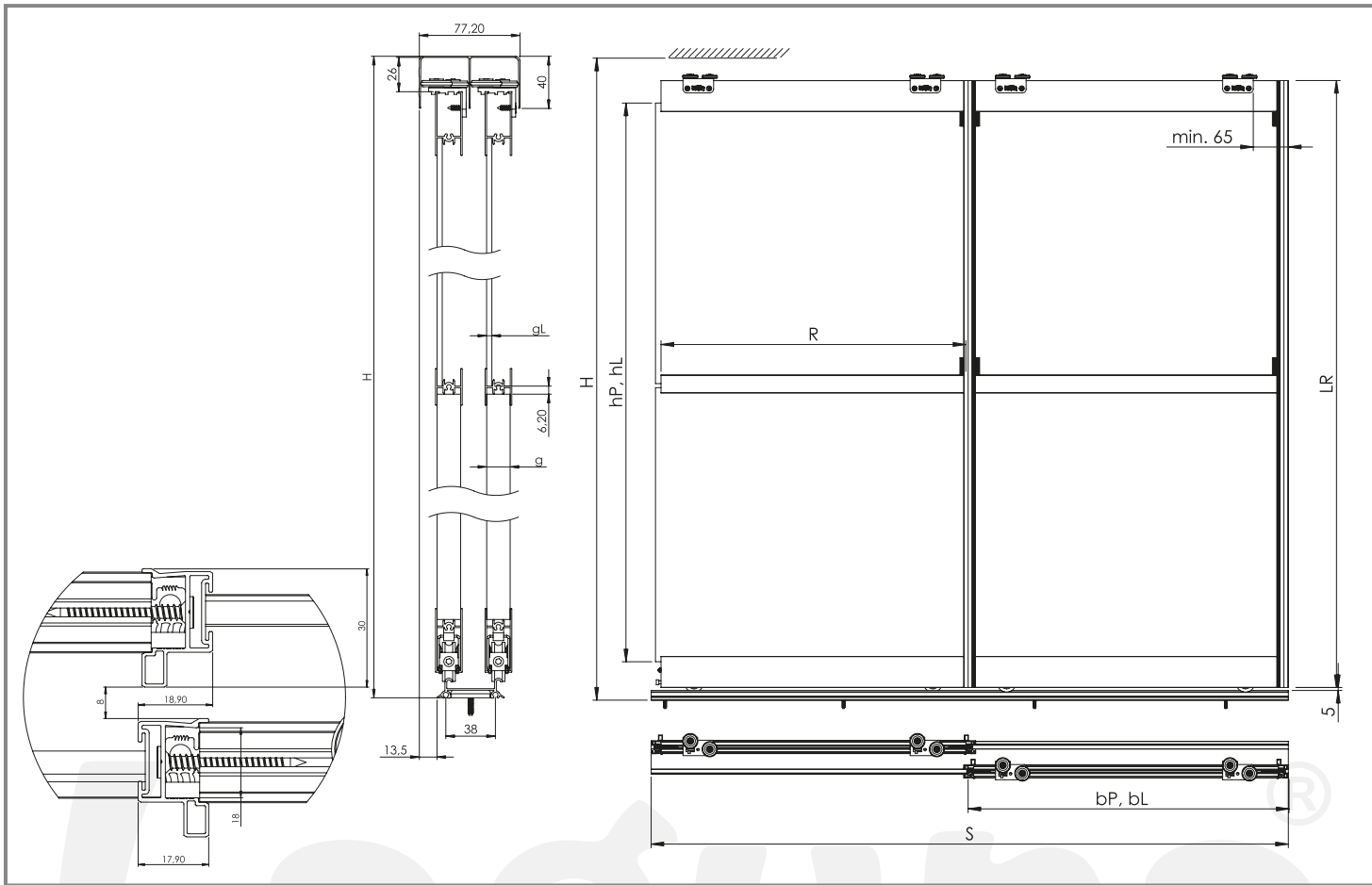
DESKA | BOARD
16 mm
18 mm

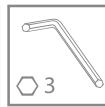
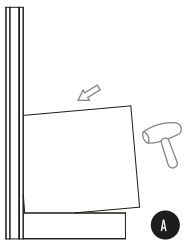
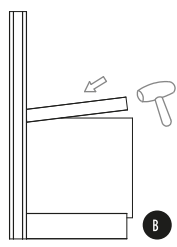
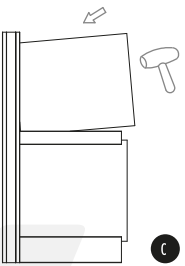
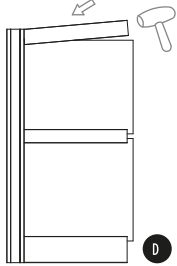
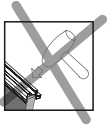
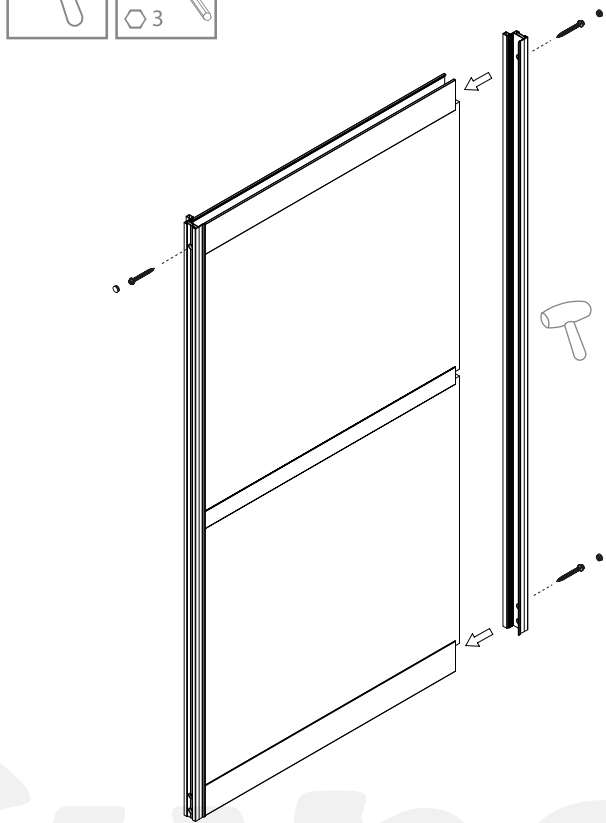
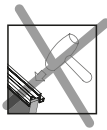
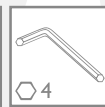
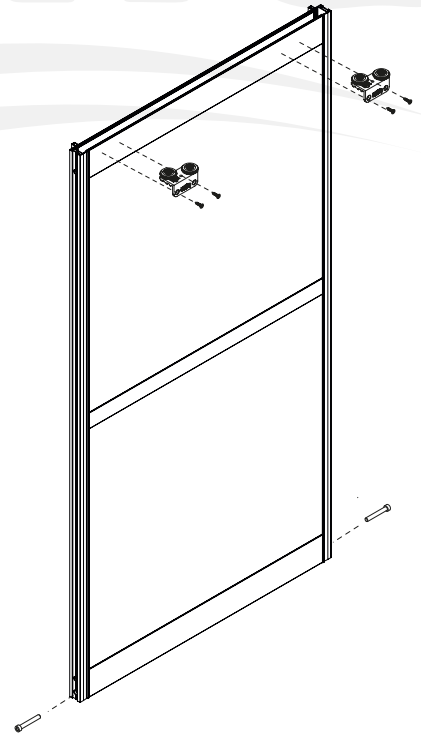
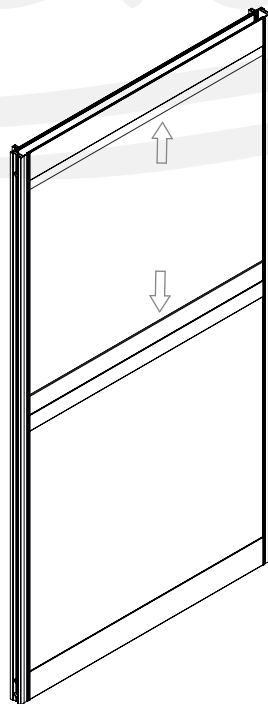
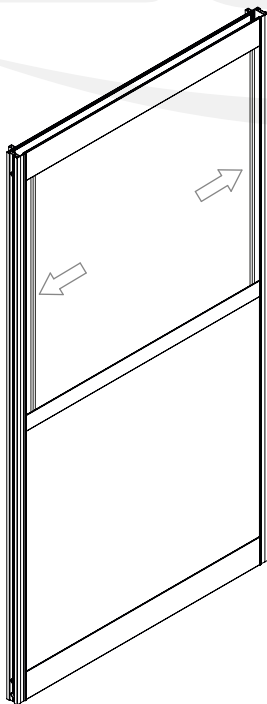
SKLO | GLASS
4 mm

ZRCADLO | MIRROR 4 mm
+
DESKA | BOARD 12 mm



	Počet křídel n / Quantity of doors n	n = 2	n = 3	n = 4	n = 5	n = 6	n = 7	n = 8
	18 mm DESKA BOARD	Výška desky hP [mm] / Board height hP [mm]	hP = H-128					
Šířka desky bP [mm] / Board width bP [mm]		$bP = (S-9)/2$	$bP = (S-4)/3$	$bP = (S+1)/4$	$bP = (S+6)/5$	$bP = (S+12)/6$	$bP = (S+17)/7$	$bP = (S+22)/8$
Délka spodního, horního rámu a spojky R [mm] Upper, lower rail and connector lenght R [mm]		R = bP-17						
Délka profilu LR [mm] / Handle lenght LR [mm]		LR = H-47						
12 mm DESKA BOARD + 4 mm SKLO GLASS ZRCADLO MIRROR	Výška desky hP [mm] / Board height hP [mm]	hP = H-128						
	Šířka desky bP [mm] / Board width bP [mm]	$bP = (S-9)/2$	$bP = (S-4)/3$	$bP = (S+1)/4$	$bP = (S+6)/5$	$bP = (S+12)/6$	$bP = (S+17)/7$	$bP = (S+22)/8$
	Délka dolního, horního rámu a spojky R [mm] Upper, lower rail and connector lenght R [mm]	R = bP-17						
	Výška zrcadla/skla hL [mm] / Mirror height hL [mm]	hL = H-119						
	Šířka zrcadla/skla bL [mm] / Mirror width bL [mm]	$bL = (S-11)/2$	$bL = (S-7)/3$	$bL = (S-3)/4$	$bL = (S+1)/5$	$bL = (S+6)/6$	$bL = (S+10)/7$	$bL = (S+14)/8$
	Délka dolního, horního rámu a spojky R [mm] Upper, lower rail and connector lenght R [mm]	R = bL-16						
16 mm DESKA BOARD	Výška desky hP [mm] / Board height hP [mm]	hP = H-128						
	Šířka desky bP [mm] / Board width bP [mm]	$bP = (S-9)/2$	$bP = (S-4)/3$	$bP = (S+1)/4$	$bP = (S+6)/5$	$bP = (S+12)/6$	$bP = (S+17)/7$	$bP = (S+22)/8$
	Délka dolního, horního rámu a spojky R [mm] Upper, lower rail and connector lenght R [mm]	R = bP-17						
	Délka profilu LR [mm] / Handle lenght LR [mm]	LR = H-47						
4 mm SKLO GLASS ZRCADLO MIRROR	Výška zrcadla/skla hL [mm] / Mirror height hL [mm]	hL = H-132						
	Šířka zrcadla/skla bL [mm] / Mirror width bL [mm]	$bL = (S-18)/2$	$bL = (S-17)/3$	$bL = (S-16)/4$	$bL = (S-15)/5$	$bL = (S-15)/6$	$bL = (S-14)/7$	$bL = (S-13)/8$
	Délka dolního, horního rámu a spojky R [mm] Upper, lower rail and connector lenght R [mm]	R = bL-14						
	Délka profilu LR [mm] / Handle lenght LR [mm]	LR = H-47						



**L, J****3****L, A****4****A****B****C****D****L****5.1****L****5.2****H, M****5.3**

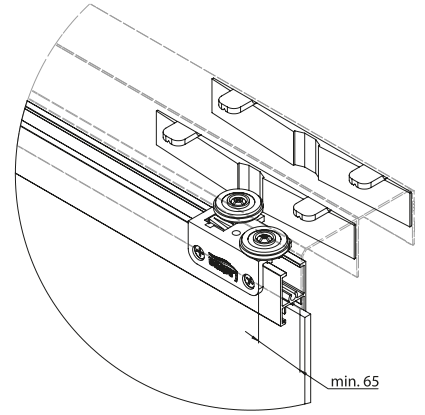
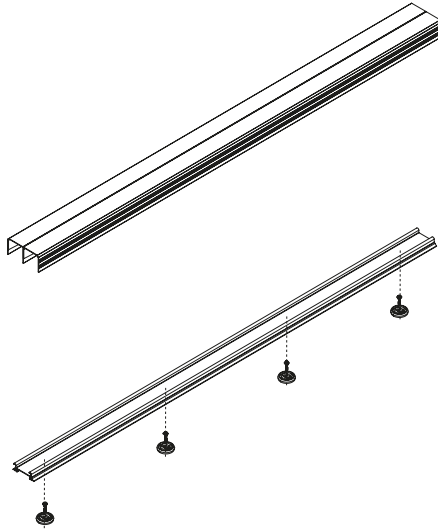
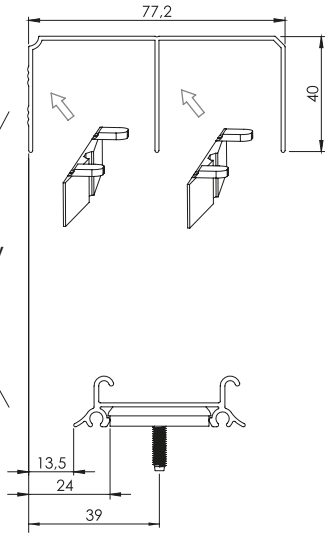


C, D, E, F

6

7

Čelo vestavby
Front building



8



N

9

