

# MULTIOMEGA WIDE

na kolejnici GAMA  
lower track GAMA

50  
kg



Gama  
Gama 2

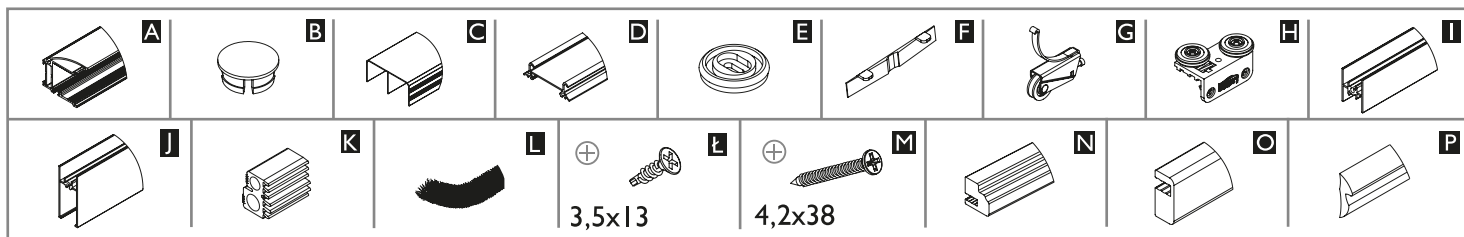
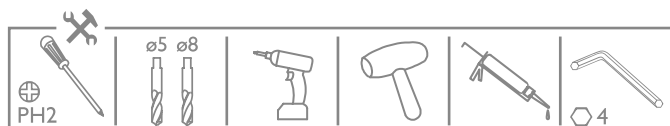
DESKA | BOARD  
16 mm  
18 mm

4 mm

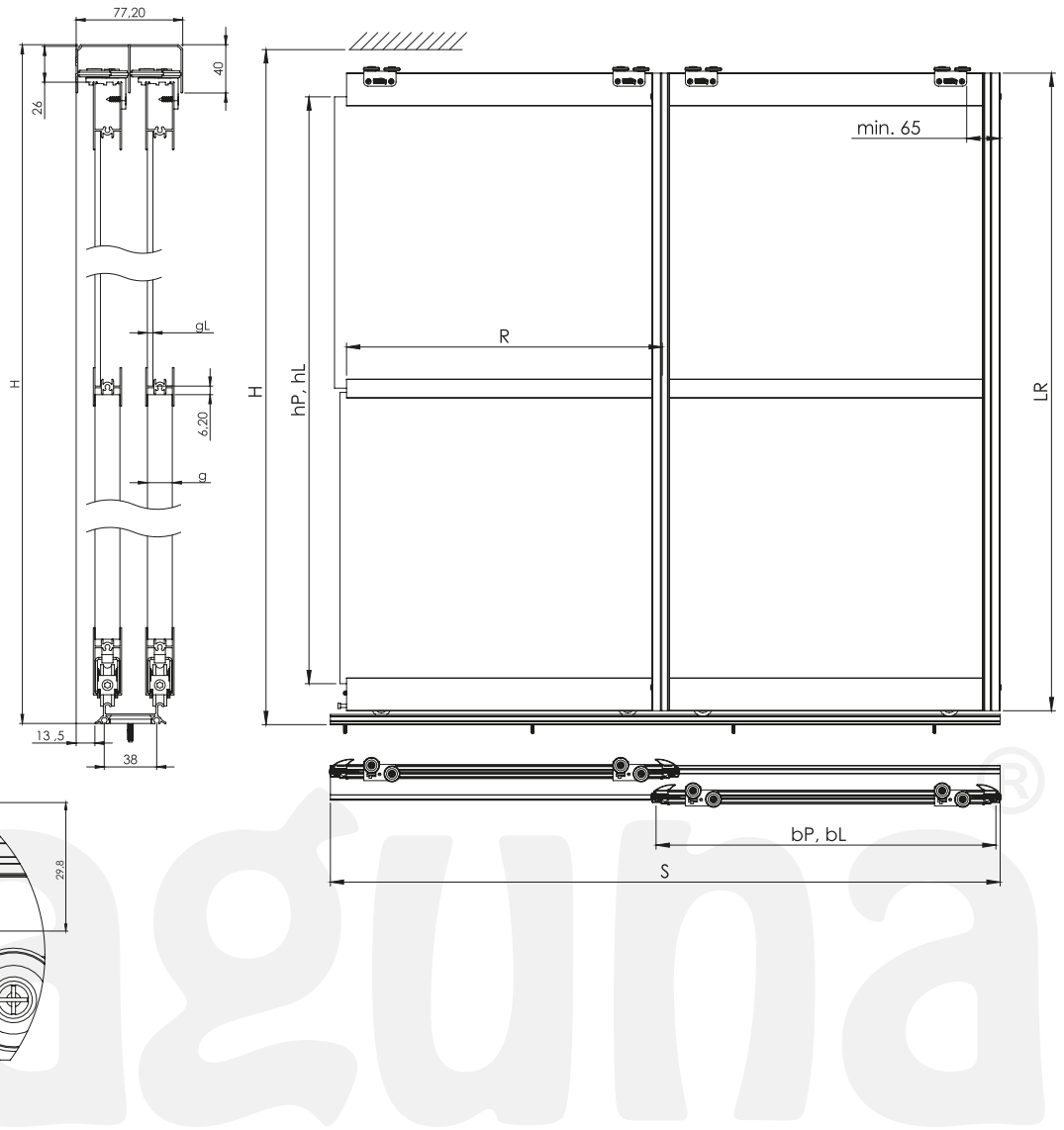
SKLO | GLASS

ZRCADLO | MIRROR

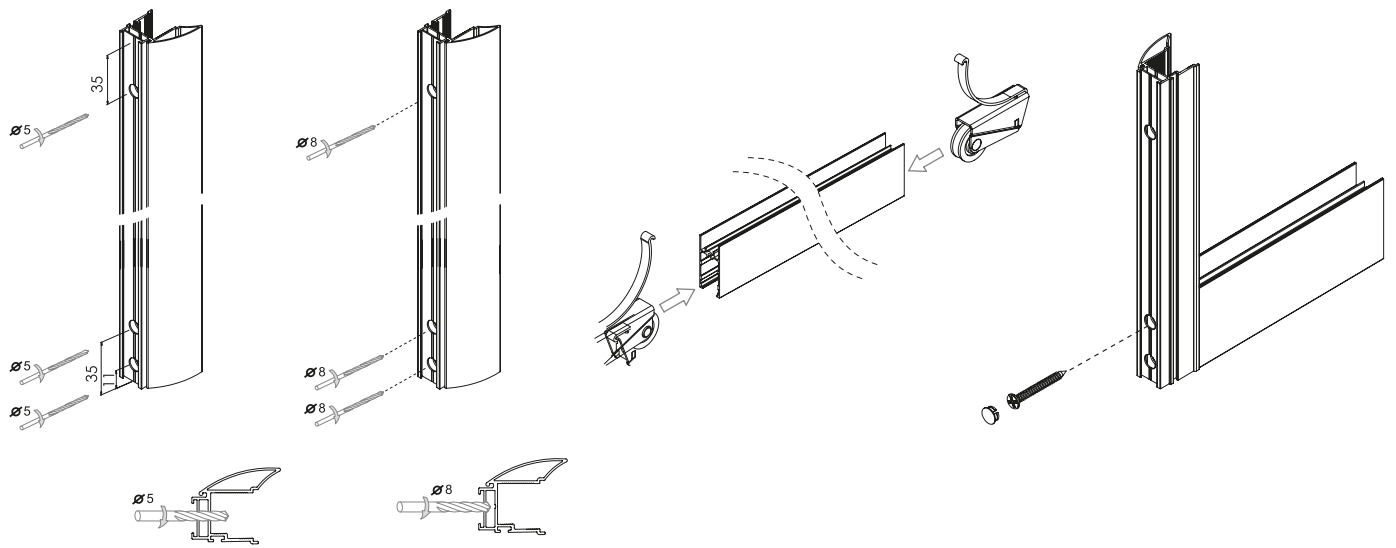
DESKA | BOARD  
4 mm  
+  
12 mm

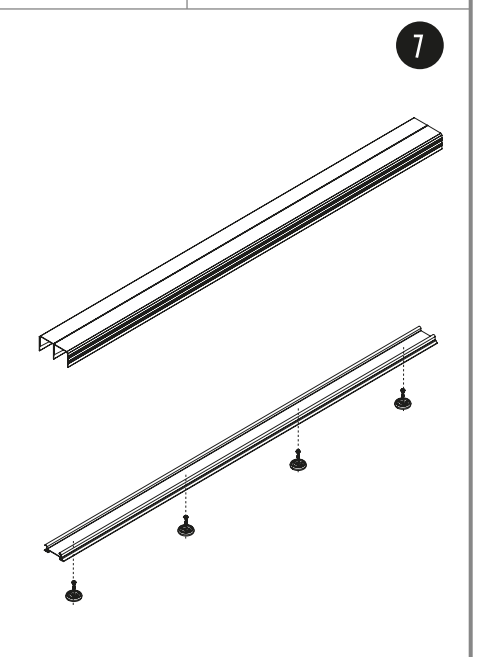
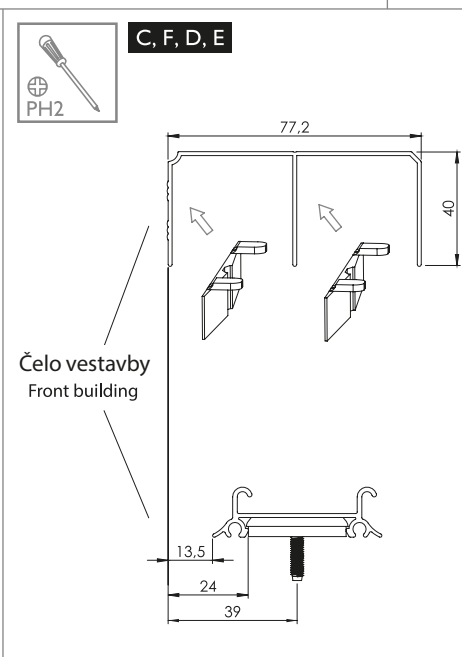
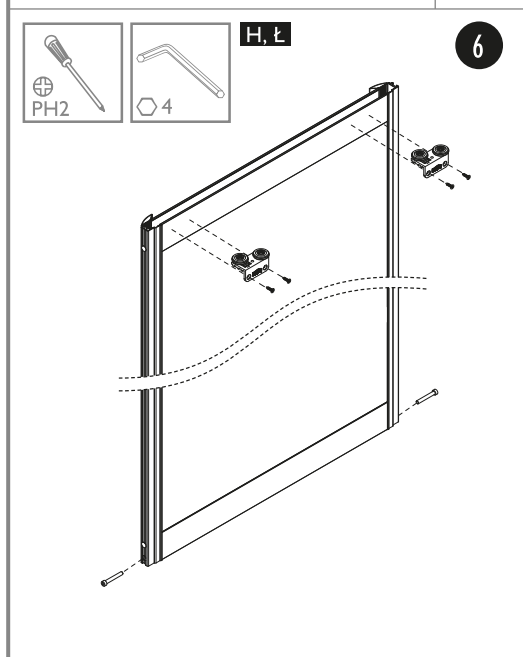
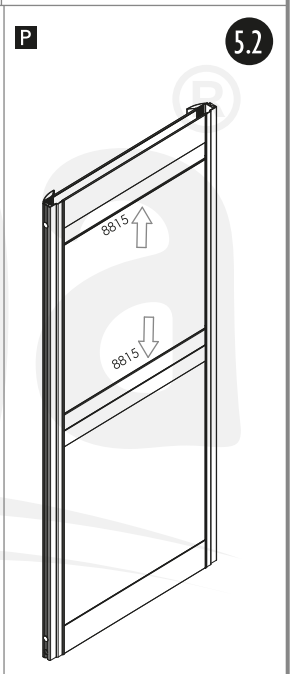
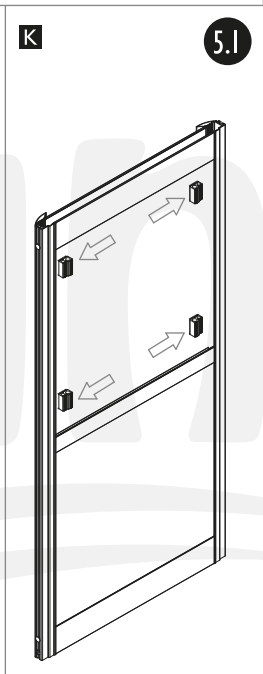
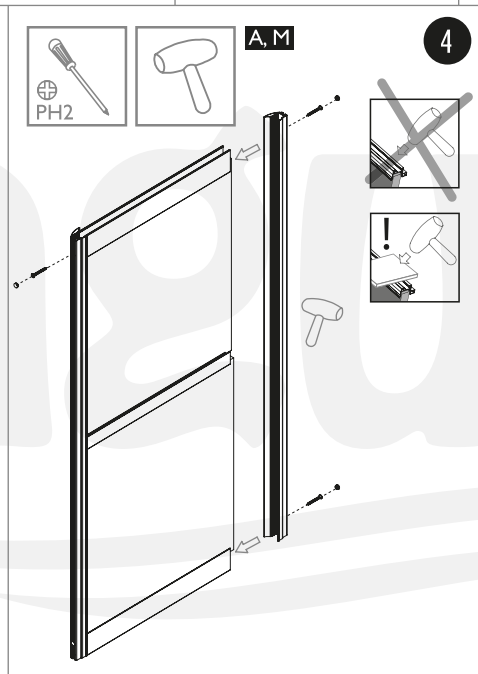
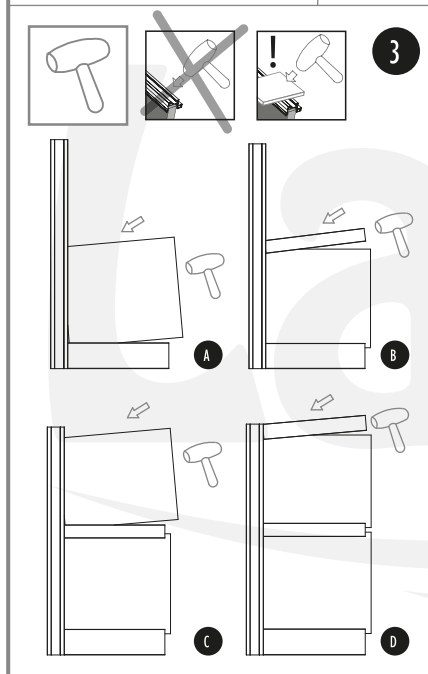
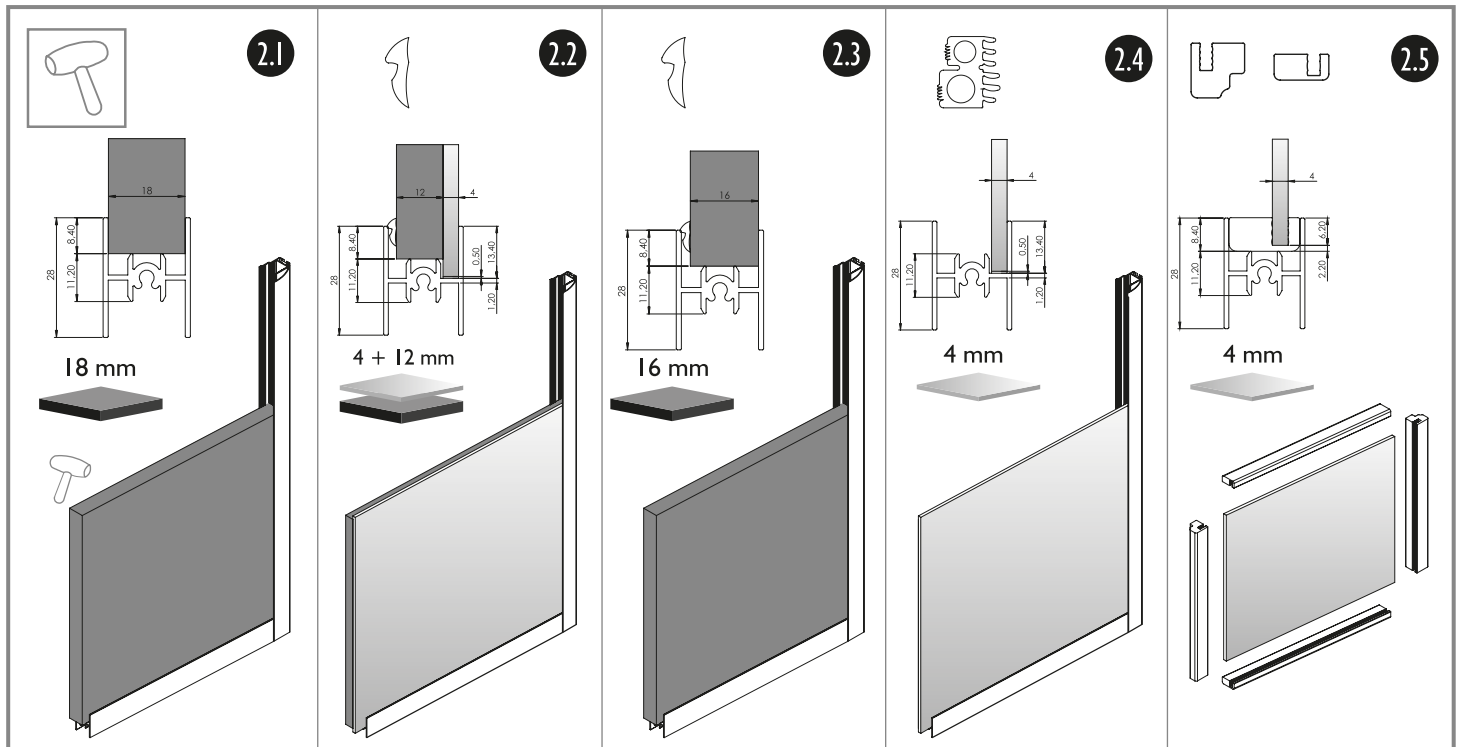


|  | Počet křídél n / Quantity of doors n   | n = 2                                      | n = 3           | n = 4           | n = 5           | n = 6           | n = 7            | n = 8            |                  |
|--|--|--|-----------------|-----------------|-----------------|-----------------|------------------|------------------|------------------|
|  |  | Výška desky hP [mm] / Board height hP [mm] |                 | hP = H-128      |                 |                 |                  |                  |                  |
| Šířka desky bP [mm] / Board width bP [mm]  |  | $bP = (S-15)/2$                            | $bP = (S-3)/3$  | $bP = (S+9)/4$  | $bP = (S+22)/5$ | $bP = (S+34)/6$ | $bP = (S+47)/7$  | $bP = (S+59)/8$  |                  |
| Délka dolního, horního rámu a spojky R [mm]<br>Upper, lower rail and connector lenght R [mm] |  | R = bP-20                                  |                 |                 |                 |                 |                  |                  |                  |
| Délka profilu LR [mm] / Handle lenght LR [mm]  |  | LR = H-47                                  |                 |                 |                 |                 |                  |                  |                  |
| <br>DESKA   BOARD<br>+<br>4 mm<br><br>SKLO   GLASS   | Výška desky hP [mm] / Board height hP [mm]   |  | hP = H-128      |                 |                 |                 |                  |                  |                  |
|  | Šířka desky bP [mm] / Board width bP [mm]  |  | $bP = (S+11)/2$ | $bP = (S+36)/3$ | $bP = (S+61)/4$ | $bP = (S+87)/5$ | $bP = (S+112)/6$ | $bP = (S+138)/7$ | $bP = (S+163)/8$ |
|  | Délka dolního, horního rámu a spojky R [mm]<br>Upper, lower rail and connector lenght R [mm] |  | R = bP-33       |                 |                 |                 |                  |                  |                  |
|  | Výška zrcadla/skla hL [mm] / Mirror height hL [mm]   |  | hL = H-119      |                 |                 |                 |                  |                  |                  |
|  | Šířka zrcadla/skla bL [mm] / Mirror width bL [mm]  |  | $bL = (S+9)/2$  | $bL = (S+33)/3$ | $bL = (S+57)/4$ | $bL = (S+82)/5$ | $bL = (S+106)/6$ | $bL = (S+131)/7$ | $bL = (S+155)/8$ |
|  | Délka dolního, horního rámu a spojky R [mm]<br>Upper, lower rail and connector lenght R [mm] |  | R = bL-32       |                 |                 |                 |                  |                  |                  |
| Délka profilu LR [mm] / Handle lenght LR [mm]  |  | LR = H-47                                  |                 |                 |                 |                 |                  |                  |                  |
| <br>DESKA   BOARD  | Výška desky hP [mm] / Board height hP [mm]   |  | hP = H-128      |                 |                 |                 |                  |                  |                  |
|  | Šířka desky bP [mm] / Board width bP [mm]  |  | $bP = (S+11)/2$ | $bP = (S+36)/3$ | $bP = (S+61)/4$ | $bP = (S+87)/5$ | $bP = (S+112)/6$ | $bP = (S+138)/7$ | $bP = (S+163)/8$ |
|  | Délka dolního, horního rámu a spojky R [mm]<br>Upper, lower rail and connector lenght R [mm] |  | R = bP-33       |                 |                 |                 |                  |                  |                  |
|  | Délka profilu LR [mm] / Handle lenght LR [mm]  |  | LR = H-47       |                 |                 |                 |                  |                  |                  |
| <br>SKLO   GLASS   | Výška zrcadla/skla hL [mm] / Mirror height hL [mm]   |  | hL = H-119      |                 |                 |                 |                  |                  |                  |
|  | Šířka zrcadla/skla bL [mm] / Mirror width bL [mm]  |  | $bL = (S+9)/2$  | $bL = (S+33)/3$ | $bL = (S+57)/4$ | $bL = (S+82)/5$ | $bL = (S+106)/6$ | $bL = (S+131)/7$ | $bL = (S+155)/8$ |
|  | Délka dolního, horního rámu a spojky R [mm]<br>Upper, lower rail and connector lenght R [mm] |  | R = bL-32       |                 |                 |                 |                  |                  |                  |
|  | Délka profilu LR [mm] / Handle lenght LR [mm]  |  | LR = H-47       |                 |                 |                 |                  |                  |                  |
| <br>SKLO   GLASS   | Výška zrcadla/skla hL [mm] / Mirror height hL [mm]   |  | hL = H-132      |                 |                 |                 |                  |                  |                  |
|  | Šířka zrcadla/skla bL [mm] / Mirror width bL [mm]  |  | $bL = (S-23)/2$ | $bL = (S-15)/3$ | $bL = (S-7)/4$  | $bL = (S+2)/5$  | $bL = (S+10)/6$  | $bL = (S+19)/7$  | $bL = (S+27)/8$  |
|  | Délka dolního, horního rámu a spojky R [mm]<br>Upper, lower rail and connector lenght R [mm] |  | R = bL-15       |                 |                 |                 |                  |                  |                  |
|  | Délka profilu LR [mm] / Handle lenght LR [mm]  |  | LR = H-47       |                 |                 |                 |                  |                  |                  |

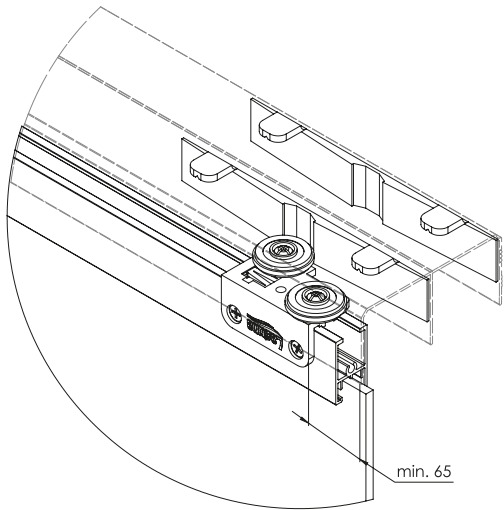


A, B, G, J, M

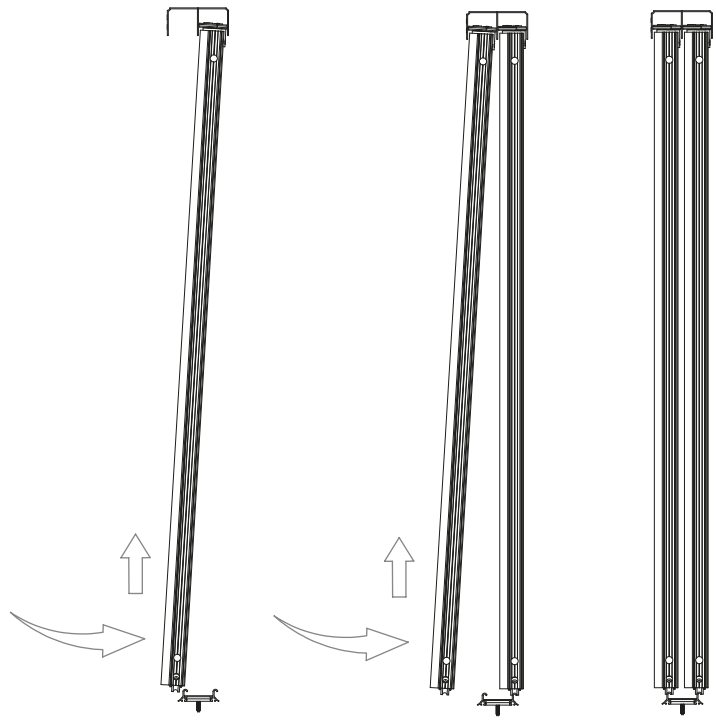




8



9



L

10

