

MODERN WIDE

na kolejnici RAMA
lower track RAMA

50
kg

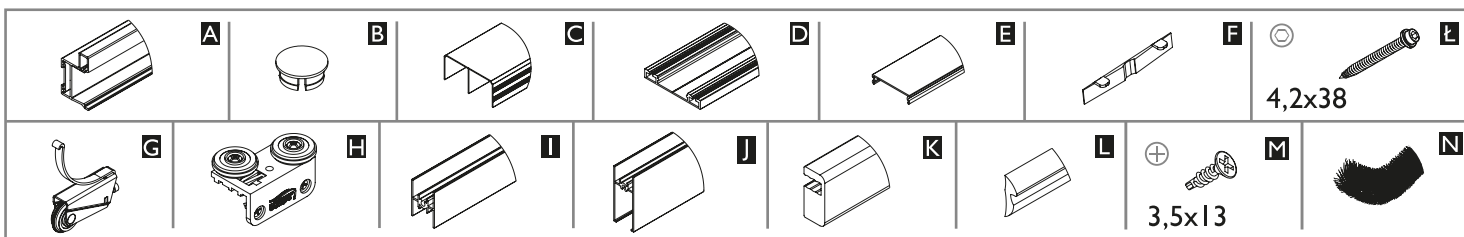
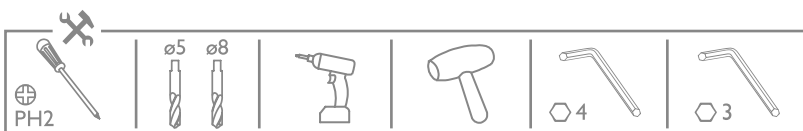


Rama

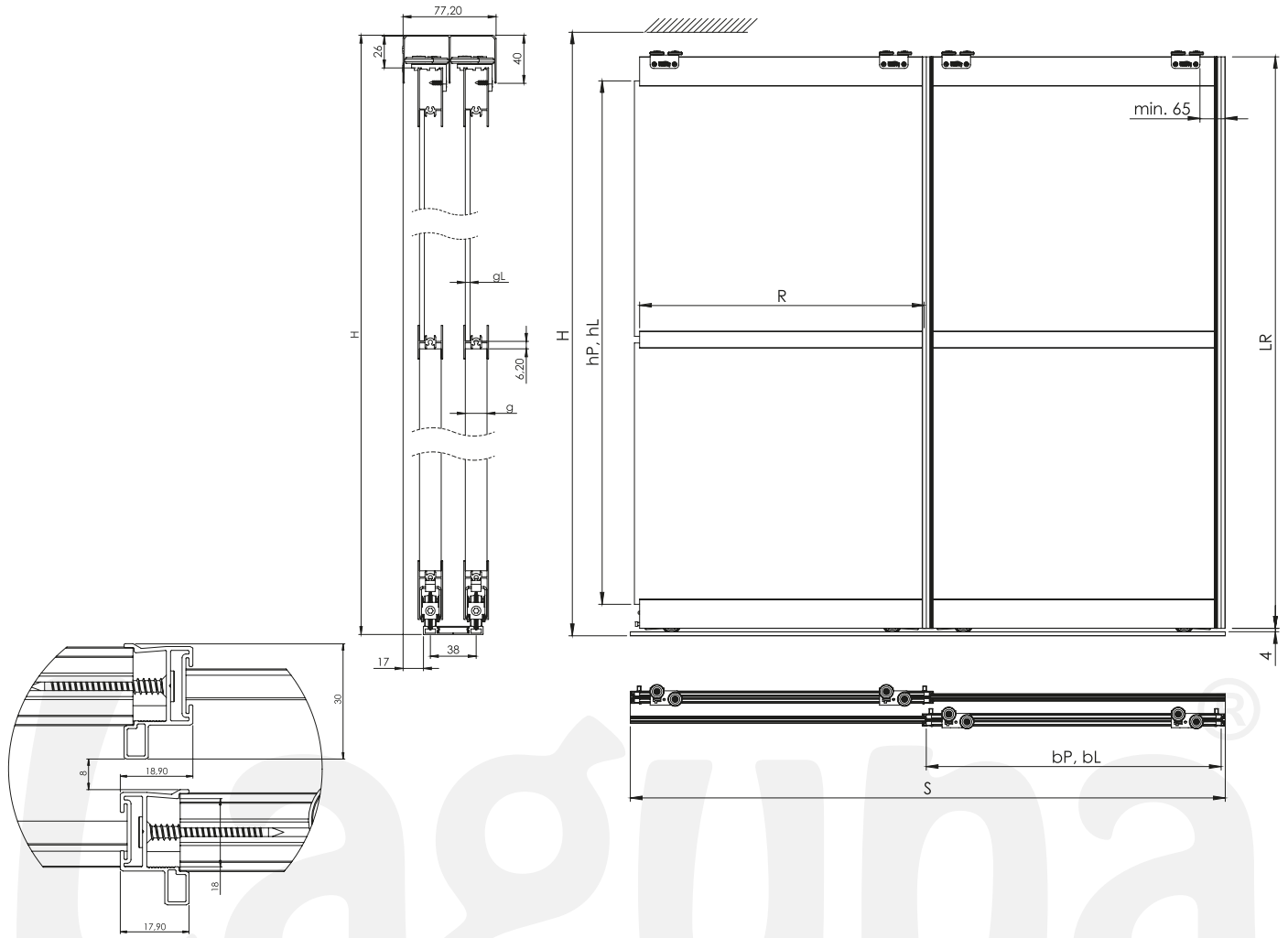
DESKA | BOARD
16 mm
18 mm

SKLO | GLASS
4 mm

ZRCADLO | MIRROR
4 mm
+
DESKA | BOARD
12 mm

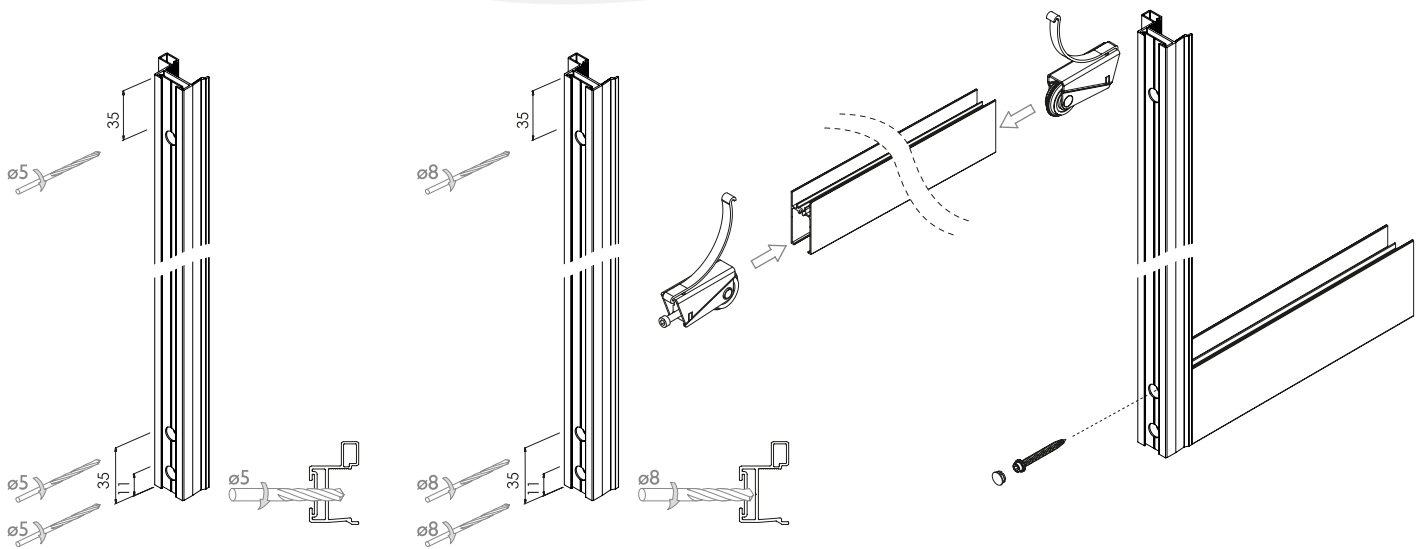


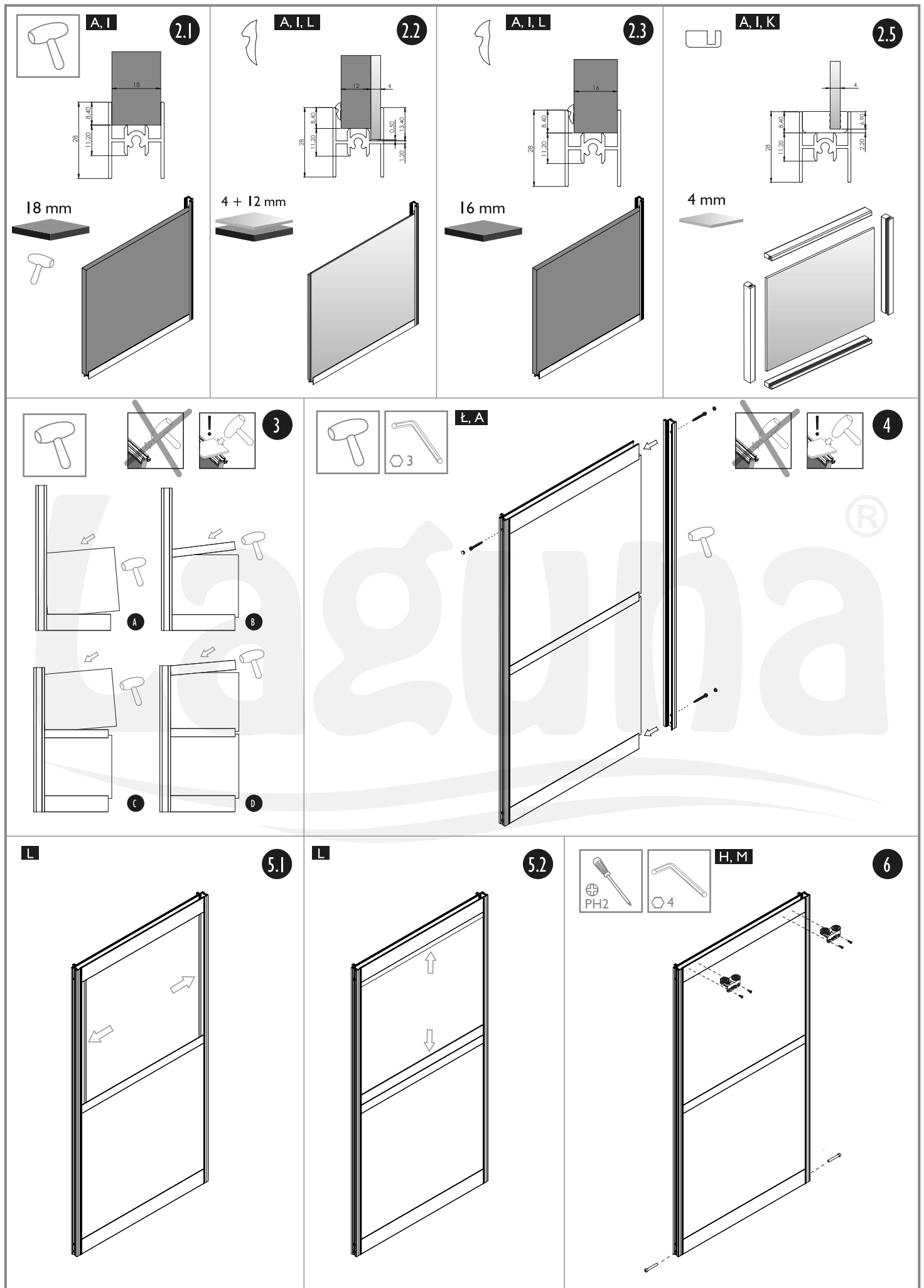
18 mm DESKA BOARD	Počet křídel n / Quantity of doors n	n = 2	n = 3	n = 4	n = 5	n = 6	n = 7	n = 8	
	Výška desky hP [mm] / Board height hP [mm]	hP = H-121							
Šířka desky bP [mm] / Board width bP [mm]	$bP = (S-9)/2$	$bP = (S-4)/3$	$bP = (S+1)/4$	$bP = (S+6)/5$	$bP = (S+12)/6$	$bP = (S+17)/7$	$bP = (S+22)/8$		
Délka spodního, horního rámu a spojky R [mm] Upper, lower rail and connector length R [mm]	R = bP-17								
Délka profilu LR [mm] / Handle length LR [mm]	LR = H-40								
12 mm DESKA BOARD + 4 mm SKLO GLASS ZRCADLO MIRROR	Výška desky hP [mm] / Board height hP [mm]	hP = H-121							
	Šířka desky bP [mm] / Board width bP [mm]	$bP = (S-9)/2$	$bP = (S-4)/3$	$bP = (S+1)/4$	$bP = (S+6)/5$	$bP = (S+12)/6$	$bP = (S+17)/7$	$bP = (S+22)/8$	
	Délka dolního, horního rámu a spojky R [mm] Upper, lower rail and connector length R [mm]	R = bP-17							
	Výška zrcadla/skla hL [mm] / Mirror height hL [mm]	hL = H-112							
	Šířka zrcadla/skla bL [mm] / Mirror width bL [mm]	$bL = (S-11)/2$	$bL = (S-7)/3$	$bL = (S-3)/4$	$bL = (S+1)/5$	$bL = (S+6)/6$	$bL = (S+10)/7$	$bL = (S+14)/8$	
	Délka dolního, horního rámu a spojky R [mm] Upper, lower rail and connector length R [mm]	R = bL-16							
	Délka profilu LR [mm] / Handle length LR [mm]	LR = H-40							
16 mm DESKA BOARD	Výška desky hP [mm] / Board height hP [mm]	hP = H-121							
	Šířka desky bP [mm] / Board width bP [mm]	$bP = (S-9)/2$	$bP = (S-4)/3$	$bP = (S+1)/4$	$bP = (S+6)/5$	$bP = (S+12)/6$	$bP = (S+17)/7$	$bP = (S+22)/8$	
	Délka dolního, horního rámu a spojky R [mm] Upper, lower rail and connector length R [mm]	R = bP-17							
	Délka profilu LR [mm] / Handle length LR [mm]	LR = H-40							
4 mm SKLO GLASS ZRCADLO MIRROR	Výška zrcadla/skla hL [mm] / Mirror height hL [mm]	hL = H-125							
	Šířka zrcadla/skla bL [mm] / Mirror width bL [mm]	$bL = (S-18)/2$	$bL = (S-17)/3$	$bL = (S-16)/4$	$bL = (S-15)/5$	$bL = (S-15)/6$	$bL = (S-14)/7$	$bL = (S-13)/8$	
	Délka dolního, horního rámu a spojky R [mm] Upper, lower rail and connector length R [mm]	R = bL-14							
	Délka profilu LR [mm] / Handle length LR [mm]	LR = H-40							



A, B, J, Ł

1



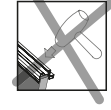




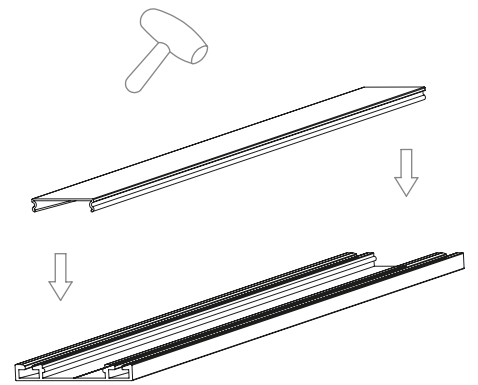
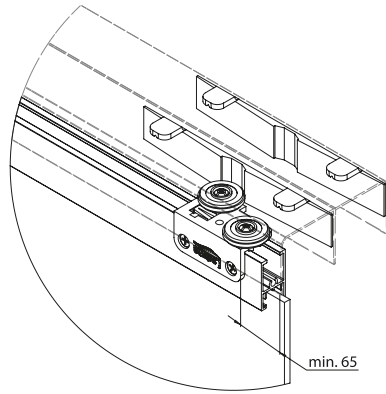
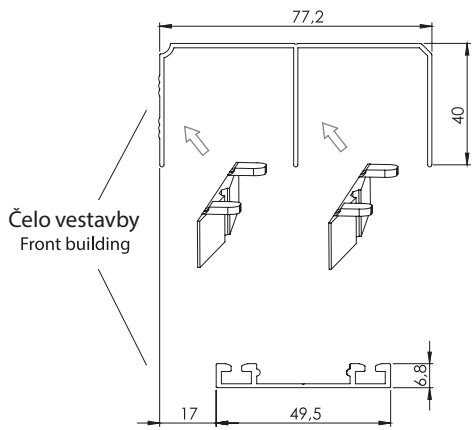
C, D, F

7

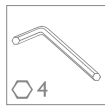
D, E



8



9



N

10

