

MULTIOMEGA WIDE

na kolejnici RAMA
lower track RAMA

50
kg



Rama

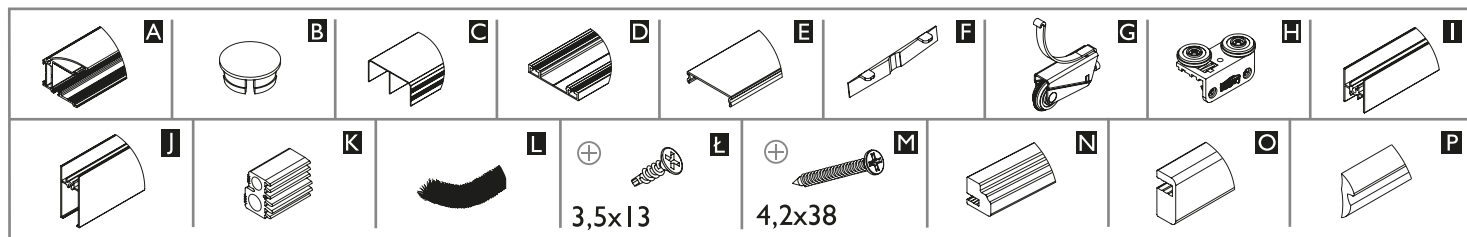
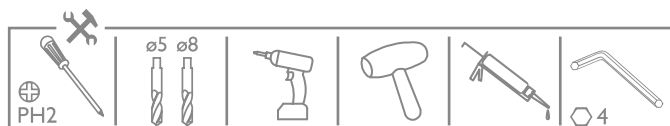
DESKA | BOARD

16 mm
18 mm

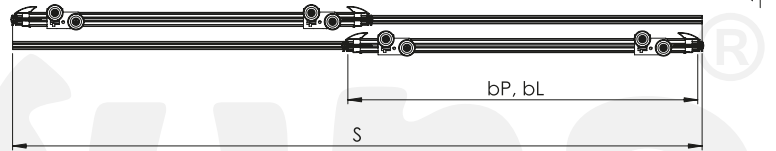
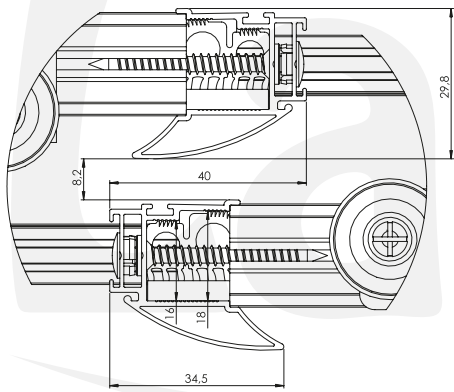
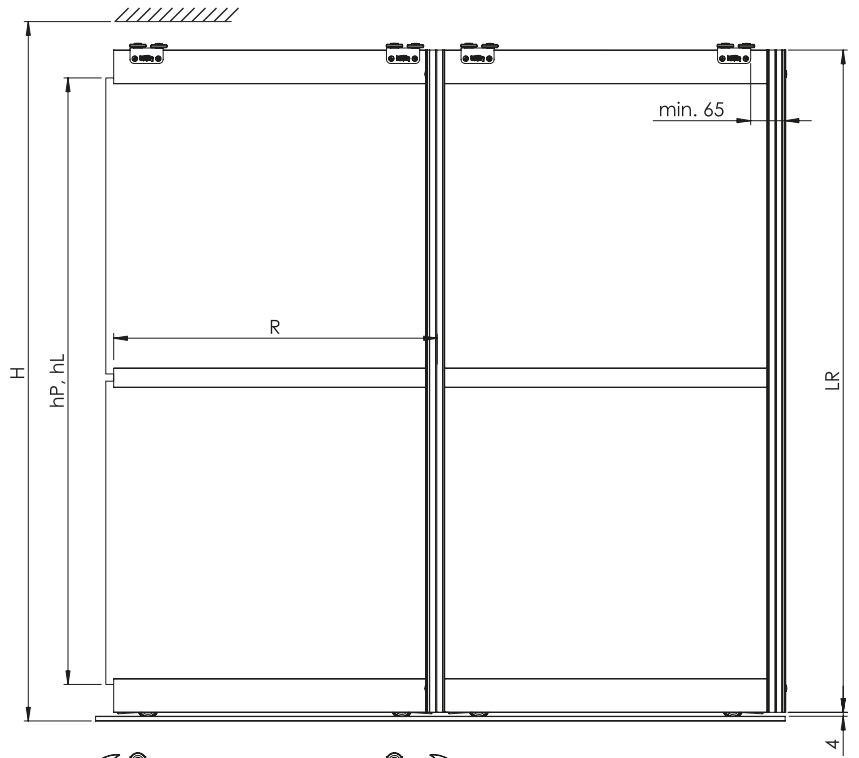
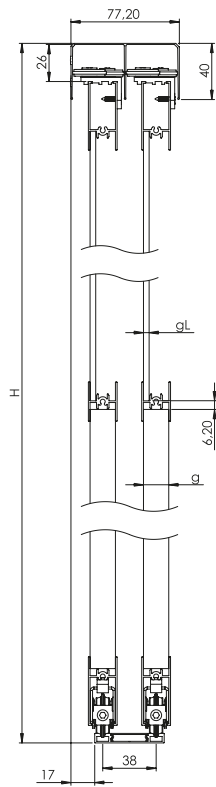
4 mm
SKLO | GLASS

ZRCADLO | MIRROR
DESKA | BOARD

4 mm
+
12 mm

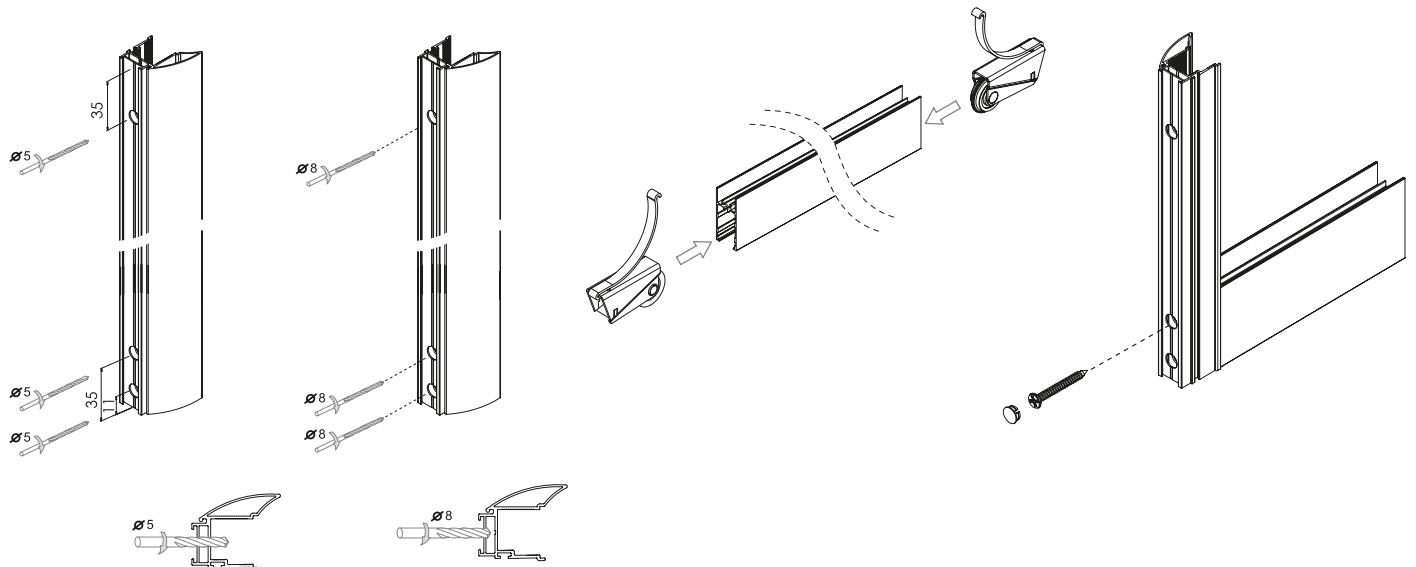


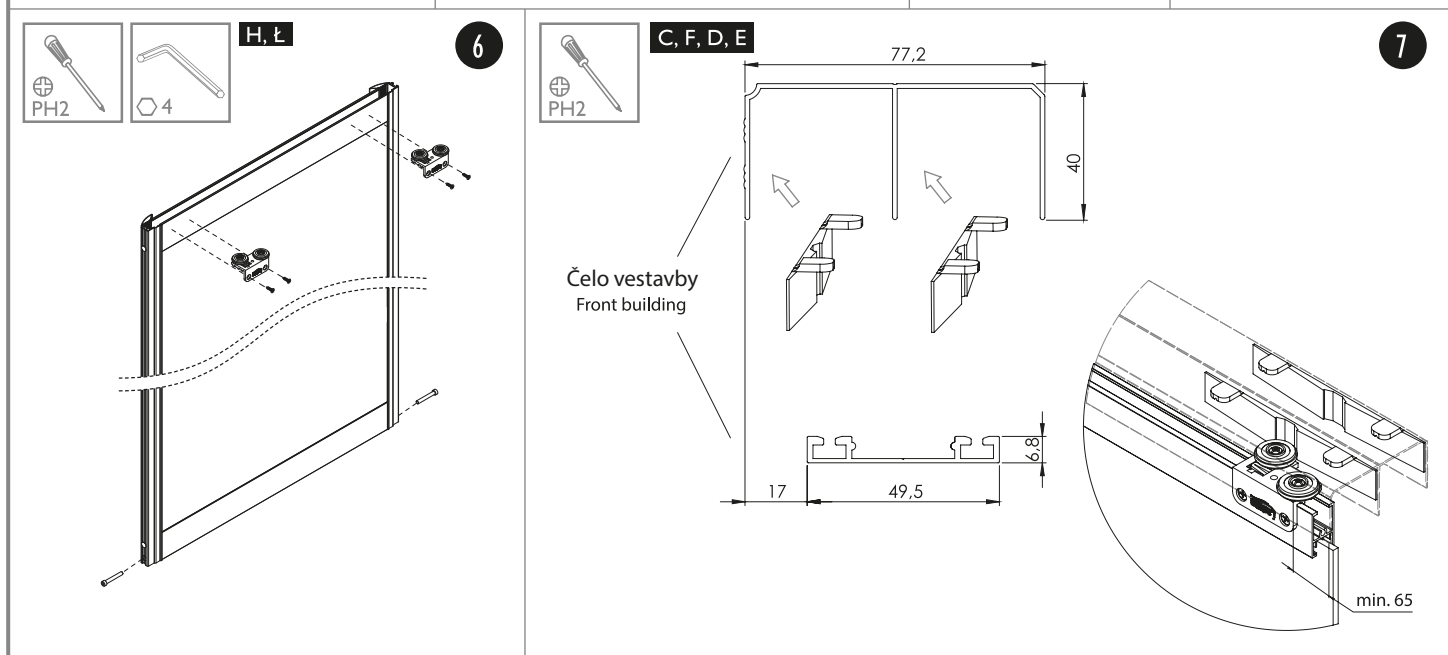
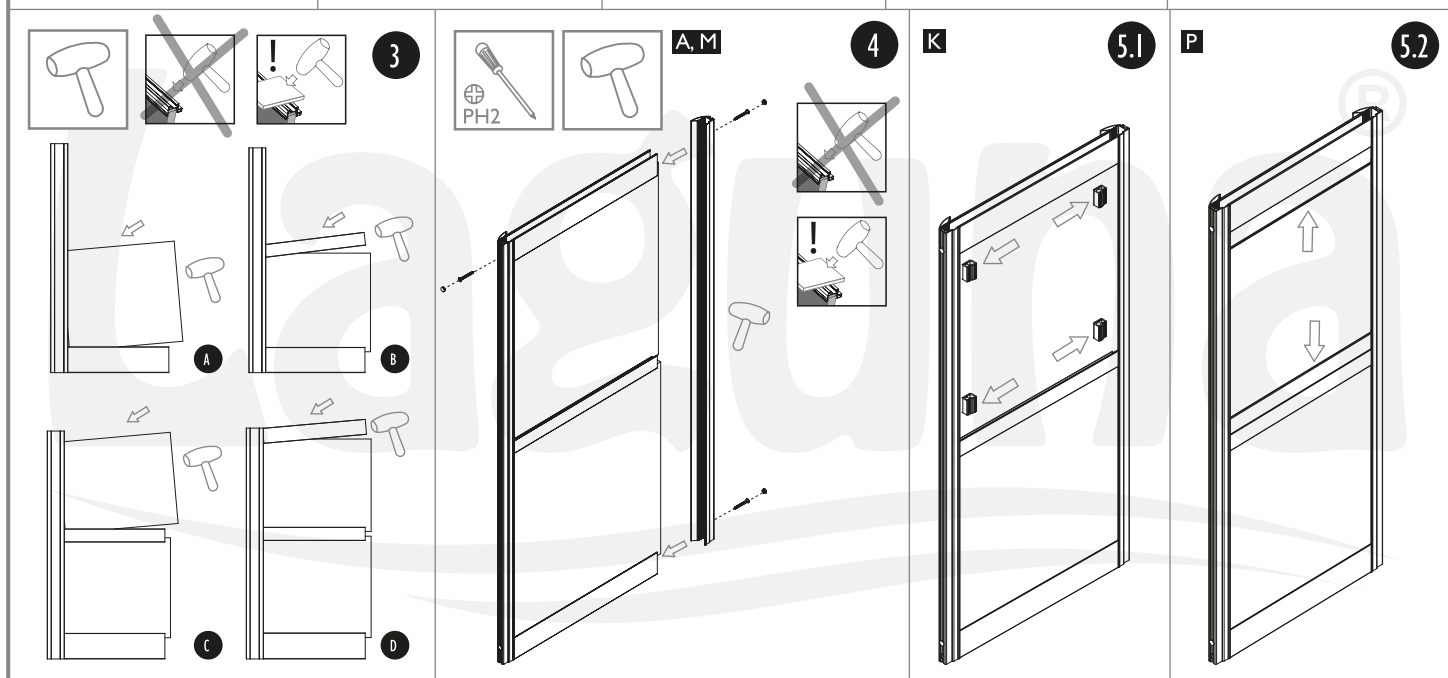
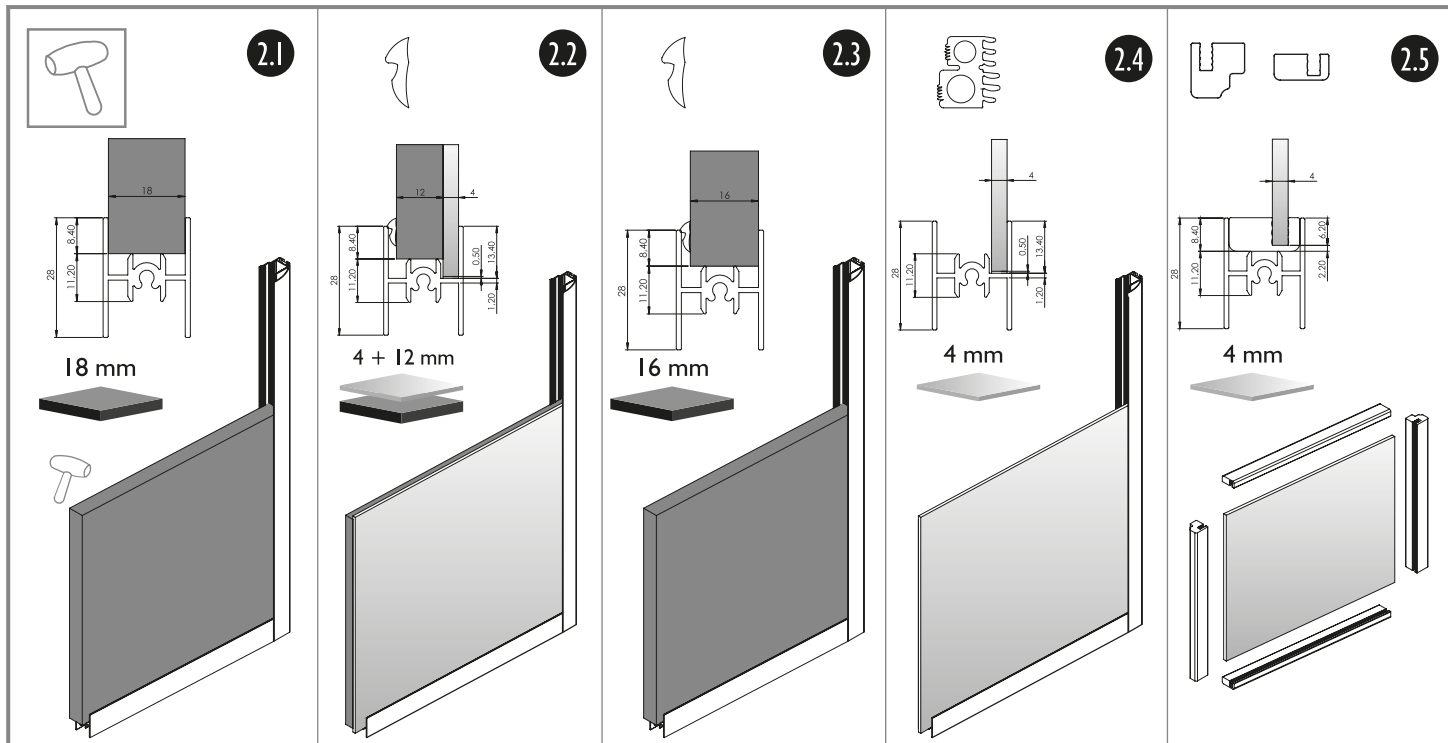
	Počet křídel n / Quantity of doors n	n = 2 n = 3 n = 4 n = 5 n = 6 n = 7 n = 8							
		18 mm DESKA BOARD	Výška desky hP [mm] / Board height hP [mm]	hP = H-121					
Šířka desky bP [mm] / Board width bP [mm]	$bP = (S-15)/2$		$bP = (S-3)/3$	$bP = (S+9)/4$	$bP = (S+22)/5$	$bP = (S+34)/6$	$bP = (S+47)/7$	$bP = (S+59)/8$	
Délka dolního, horního rámu a spojky R [mm] Upper, lower rail and connector lenght R [mm]	R = bP-20								
Délka profilu LR [mm] / Handle lenght LR [mm]	LR = H-40								
12 mm DESKA BOARD + 4 mm SKLO GLASS	Výška desky hP [mm] / Board height hP [mm]	hP = H-121							
	Šířka desky bP [mm] / Board width bP [mm]	$bP = (S+11)/2$	$bP = (S+36)/3$	$bP = (S+61)/4$	$bP = (S+87)/5$	$bP = (S+112)/6$	$bP = (S+138)/7$	$bP = (S+163)/8$	
	Délka dolního, horního rámu a spojky R [mm] Upper, lower rail and connector lenght R [mm]	R = bP-33							
	Výška zrcadla/skla hL [mm] / Mirror height hL [mm]	hL = H-112							
	Šířka zrcadla/skla bL [mm] / Mirror width bL [mm]	$bL = (S+9)/2$	$bL = (S+33)/3$	$bL = (S+57)/4$	$bL = (S+82)/5$	$bL = (S+106)/6$	$bL = (S+131)/7$	$bL = (S+155)/8$	
	Délka dolního, horního rámu a spojky R [mm] Upper, lower rail and connector lenght R [mm]	R = bL-32							
Délka profilu LR [mm] / Handle lenght LR [mm]	LR = H-40								
16 mm DESKA BOARD	Výška desky hP [mm] / Board height hP [mm]	hP = H-121							
	Šířka desky bP [mm] / Board width bP [mm]	$bP = (S+11)/2$	$bP = (S+36)/3$	$bP = (S+61)/4$	$bP = (S+87)/5$	$bP = (S+112)/6$	$bP = (S+138)/7$	$bP = (S+163)/8$	
	Délka dolního, horního rámu a spojky R [mm] Upper, lower rail and connector lenght R [mm]	R = bP-33							
	Délka profilu LR [mm] / Handle lenght LR [mm]	LR = H-40							
4 mm SKLO GLASS	Výška zrcadla/skla hL [mm] / Mirror height hL [mm]	hL = H-112							
	Šířka zrcadla/skla bL [mm] / Mirror width bL [mm]	$bL = (S+9)/2$	$bL = (S+33)/3$	$bL = (S+57)/4$	$bL = (S+82)/5$	$bL = (S+106)/6$	$bL = (S+131)/7$	$bL = (S+155)/8$	
	Délka dolního, horního rámu a spojky R [mm] Upper, lower rail and connector lenght R [mm]	R = bL-32							
	Délka profilu LR [mm] / Handle lenght LR [mm]	LR = H-40							
4 mm SKLO GLASS	Výška desky hP [mm] / Mirror height hL [mm]	hL = H-125							
	Šířka desky bP [mm] / Mirror width bL [mm]	$bL = (S-23)/2$	$bL = (S-15)/3$	$bL = (S-7)/4$	$bL = (S+2)/5$	$bL = (S+10)/6$	$bL = (S+19)/7$	$bL = (S+27)/8$	
	Délka dolního, horního rámu a spojky R [mm] Upper, lower rail and connector lenght R [mm]	R = bL-15							
	Délka profilu LR [mm] / Handle lenght LR [mm]	LR = H-40							



A, B, G, J, M

1

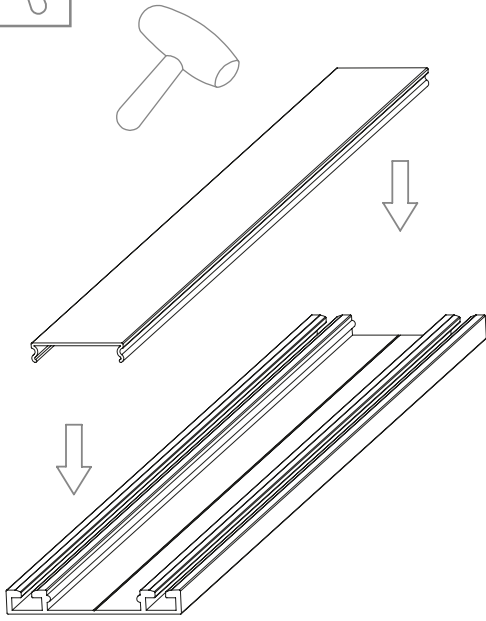




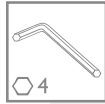
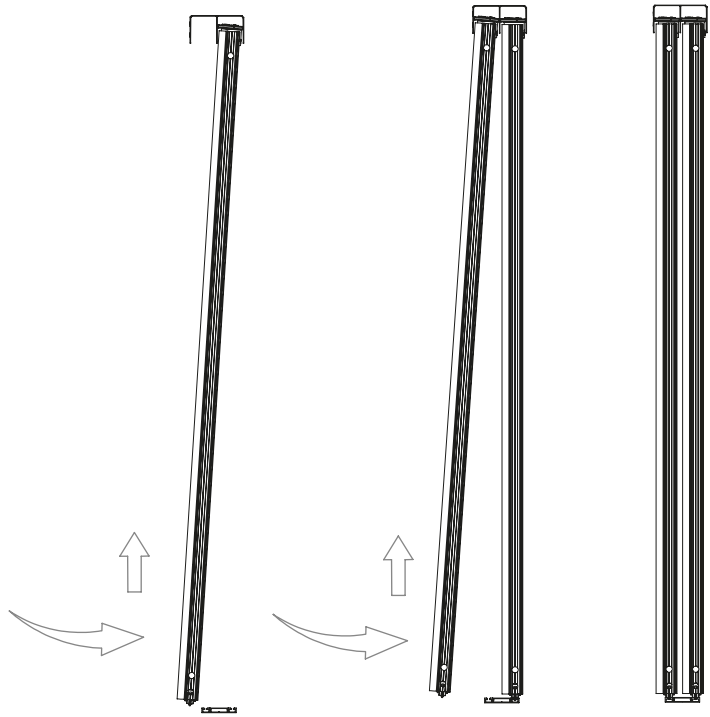


D,E

8



9



L

10

