

# RAMA WIDE

na kolejnici RAMA s kováním RAMA  
lower track RAMA with hardware RAMA

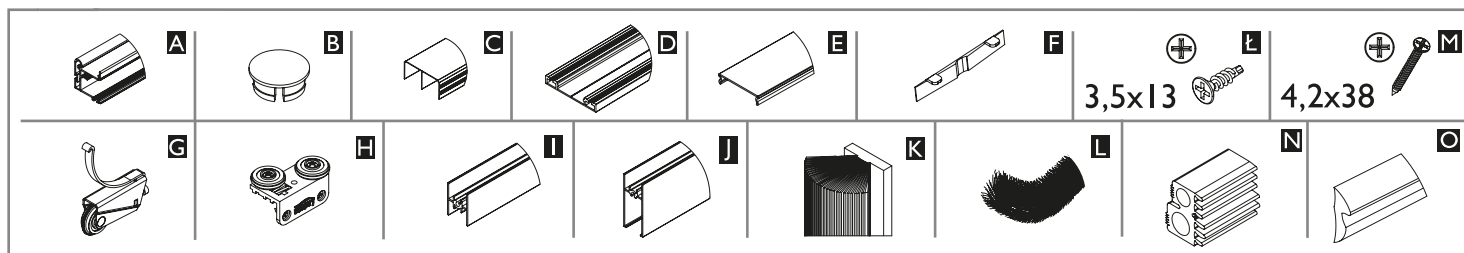
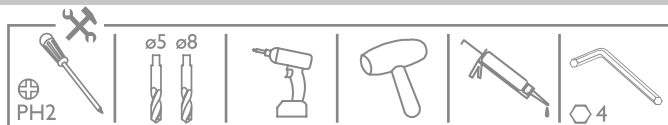
50  
kg



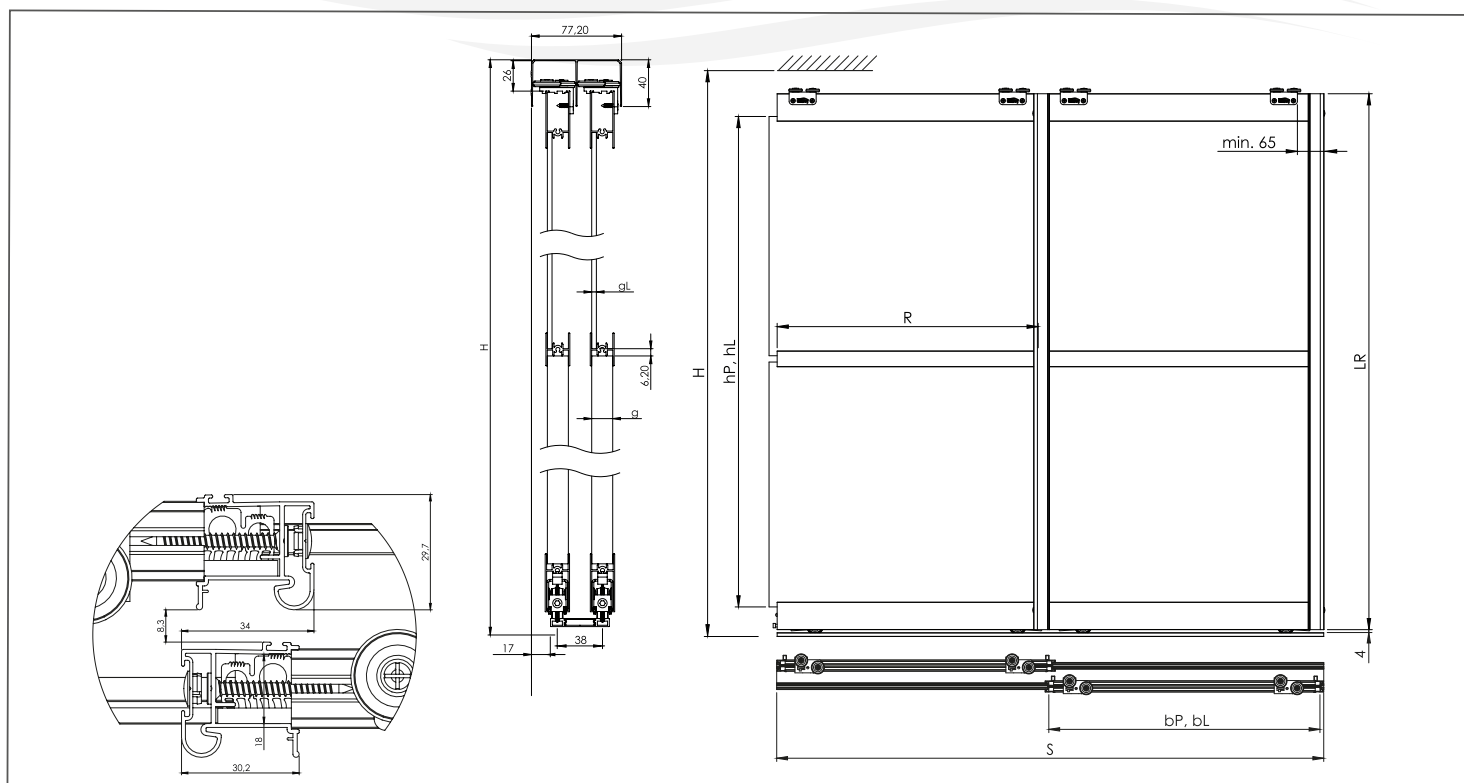
Rama



18 mm



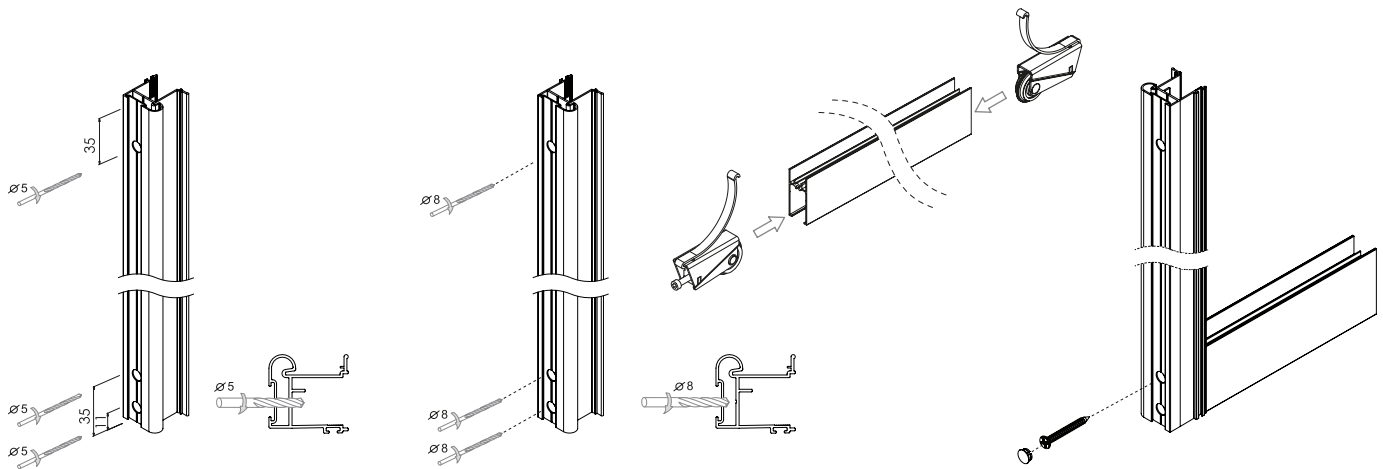
	Počet křídel n / Quantity of doors n	n = 2	n = 3	n = 4	n = 5	n = 6	n = 7	n = 8	
	<b>18 mm</b> 	Výška desky hP [mm] / Board height hP [mm]	hP = H-121						
Šířka desky bP [mm] / Board width bP [mm]		$bP = (S-21)/2$	$bP = (S-15)/3$	$bP = (S-8)/4$	$bP = (S-2)/5$	$bP = (S+4)/6$	$bP = (S+11)/7$	$bP = (S+17)/8$	
Délka spodního, horního rámu a spojky R [mm] Upper, lower rail and connector length R [mm]		R = bP-29							
Délka profilu LR [mm] / Handle length LR [mm]		LR = H-40							
<b>16 mm</b> 	Výška desky hP [mm] / Board height hP [mm]	hP = H-121							
	Šířka desky bP [mm] / Board width bP [mm]	$bP = (S-21)/2$	$bP = (S-15)/3$	$bP = (S-8)/4$	$bP = (S-2)/5$	$bP = (S+4)/6$	$bP = (S+11)/7$	$bP = (S+17)/8$	
	Délka spodního, horního rámu a spojky R [mm] Upper, lower rail and connector length R [mm]	R = bP-29							
	Délka profilu LR [mm] / Handle length LR [mm]	LR = H-40							
<b>4 mm</b> 	Výška zrcadla/skla hL [mm] / Mirror height hL [mm]	hL = H-119							
	Šířka zrcadla/skla bL [mm] / Mirror width bL [mm]	$bL = (S-3)/2$	$bL = (S+12)/3$	$bL = (S+27)/4$	$bL = (S+43)/5$	$bL = (S+58)/6$	$bL = (S+74)/7$	$bL = (S+89)/8$	
	Délka dolního, horního rámu a spojky R [mm] Upper, lower rail and connector length R [mm]	R = bL-38							
	Délka profilu LR [mm] / Handle length LR [mm]	LR = H-40							





A, J, B, M

I



I, A

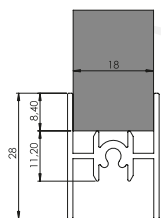
2.1

I, A

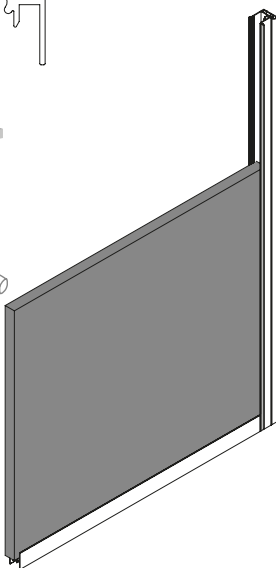
2.2

I, A

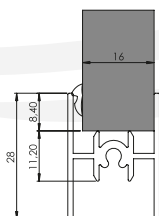
2.3



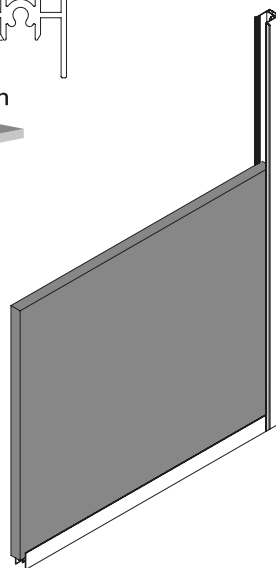
18 mm



8815

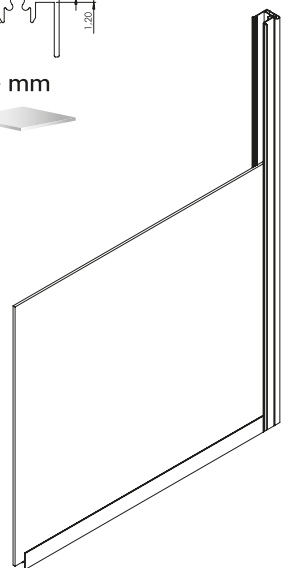


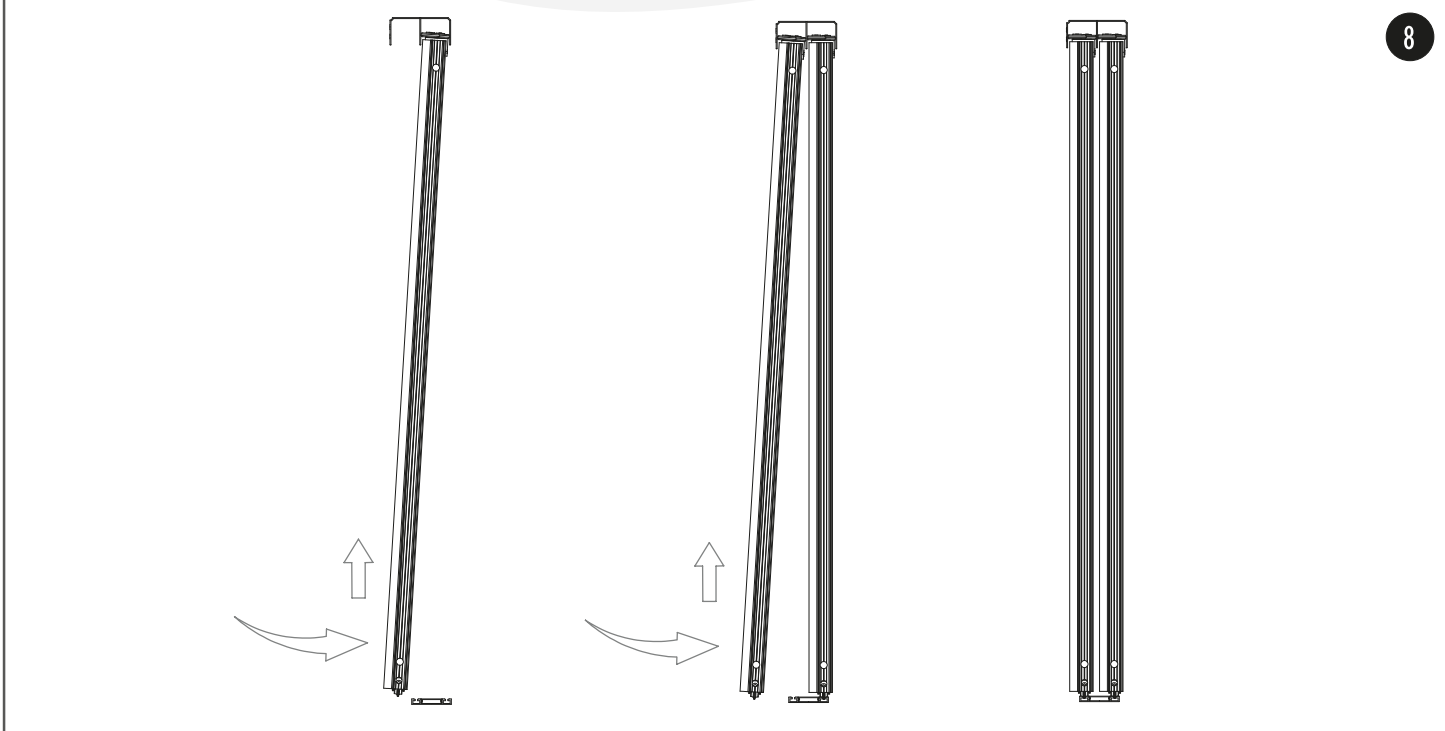
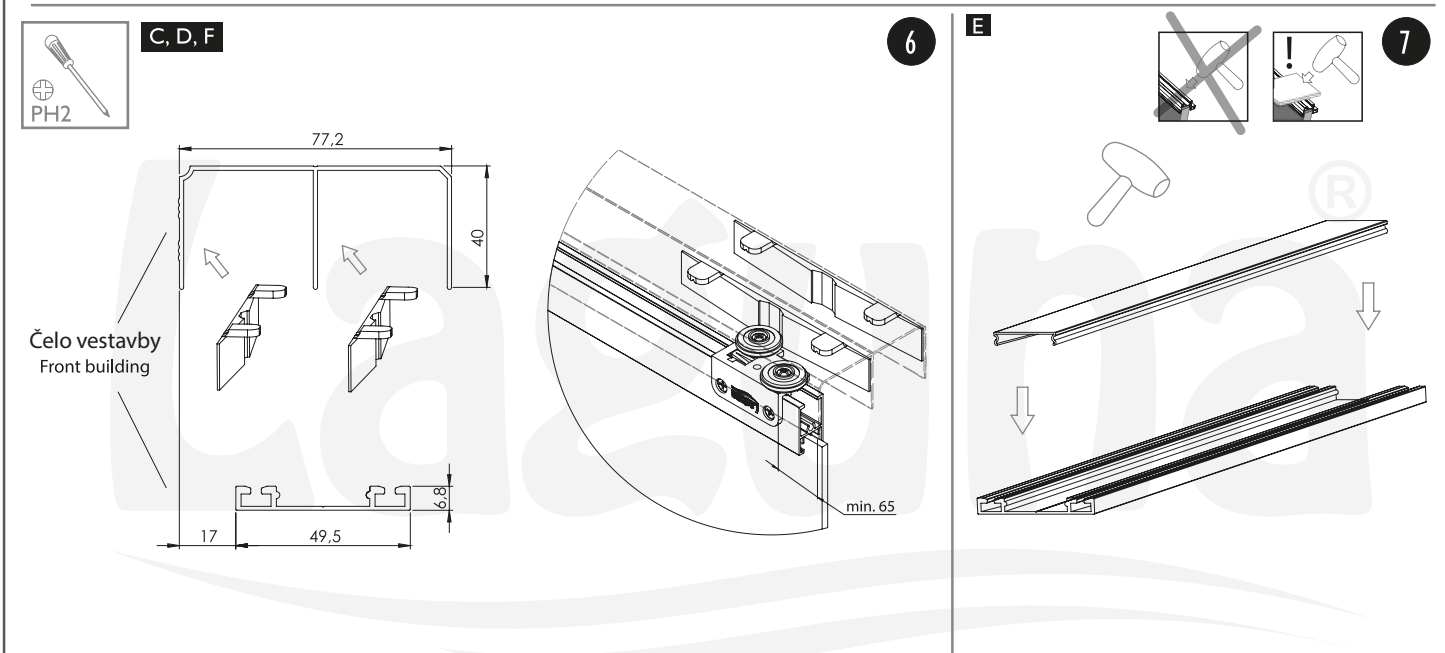
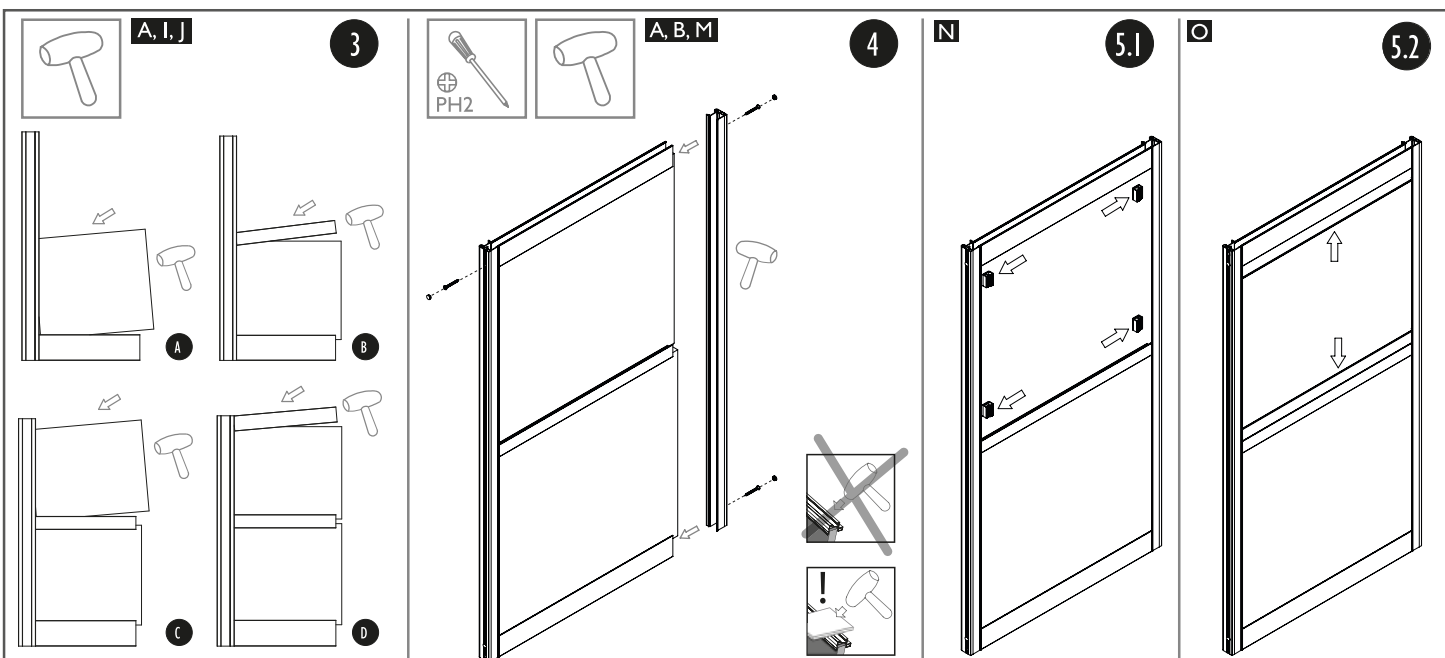
16 mm

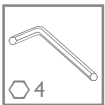


8176

4 mm







K, L

9

