

MODERN WIDE

na kolejnici GAMA s kováním SLIM
lower track GAMA with hardware SLIM

50
kg

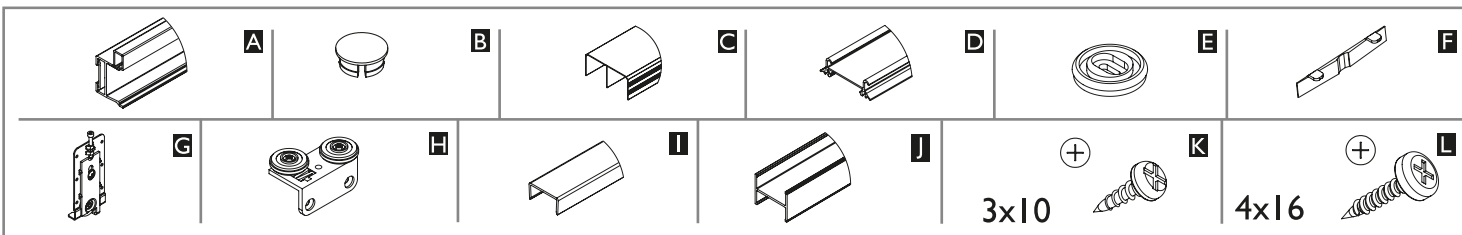
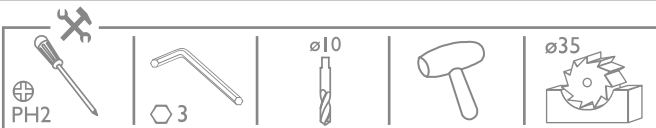


Gama

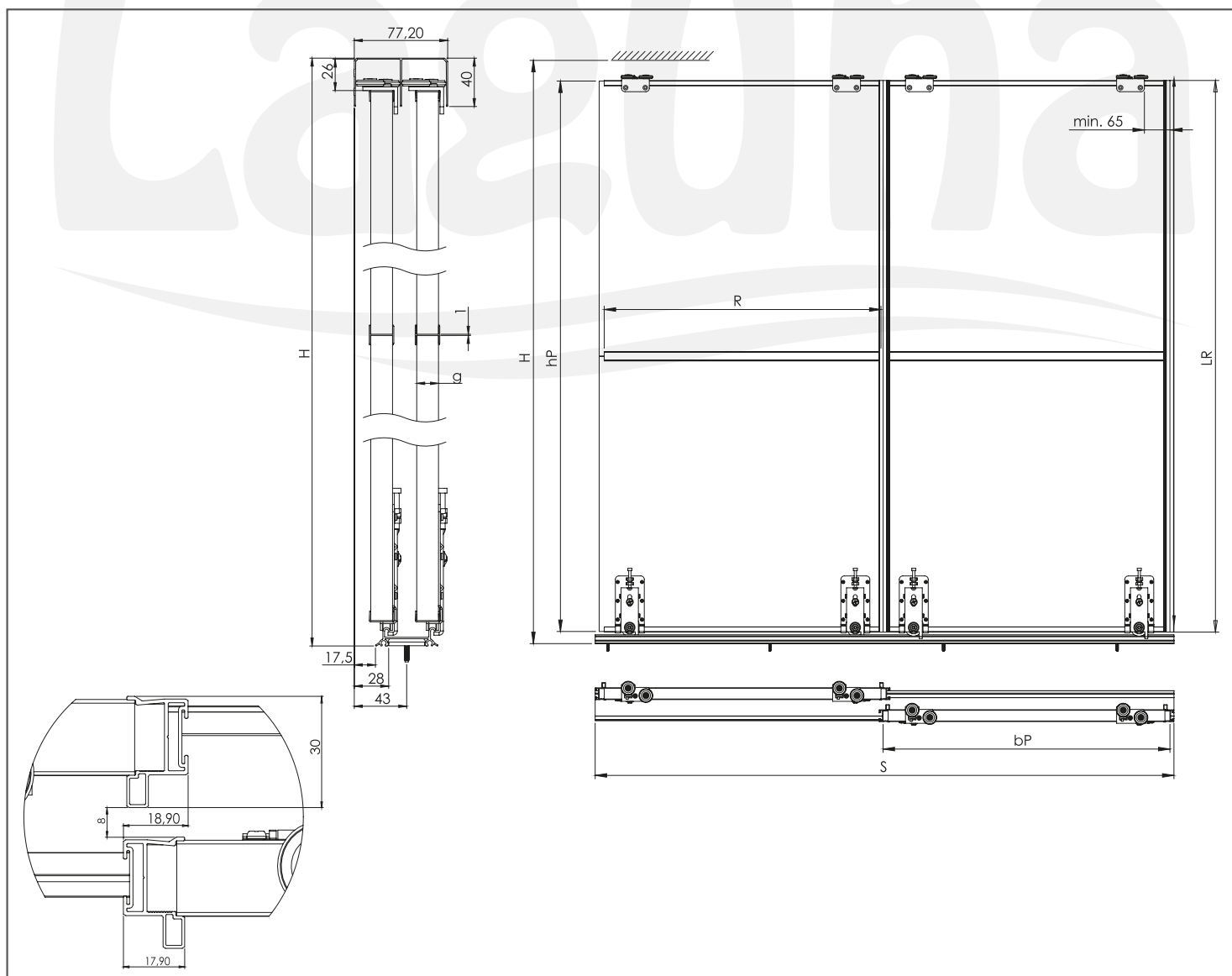


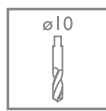
18 mm

DESKA | BOARD

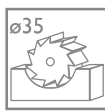
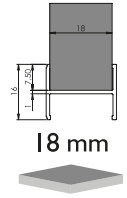


18 mm	Počet křídel n / Quantity of doors n	n = 2	n = 3	n = 4	n = 5	n = 6	n = 7	n = 8
	Výška desky hP [mm] / Board height hP [mm]	hP = H-49						
Šířka desky bP [mm] / Board width bP [mm]	$bP = (S-9)/2$	$bP = (S-4)/3$	$bP = (S+1)/4$	$bP = (S+6)/5$	$bP = (S+12)/6$	$bP = (S+17)/7$	$bP = (S+22)/8$	
Délka spodního, horního rámu a spojky R [mm] Upper, lower rail and connector lenght R [mm]	R = bP-17							
Délka profilu LR [mm] / Handle lenght LR [mm]	LR = H-47							

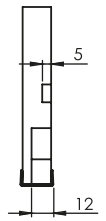
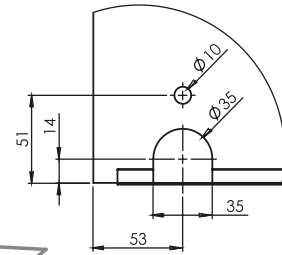
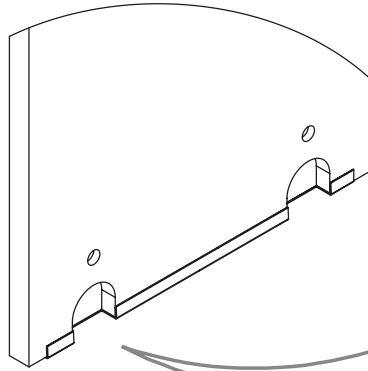
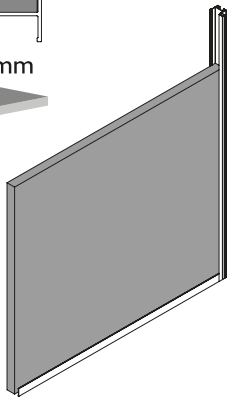


**A, J****1**

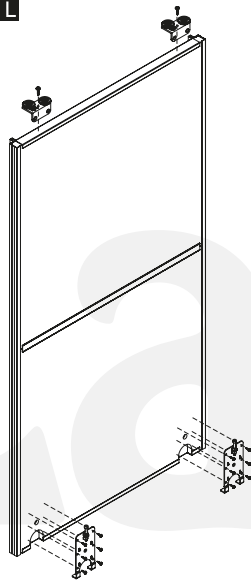
ø10

**I****2**

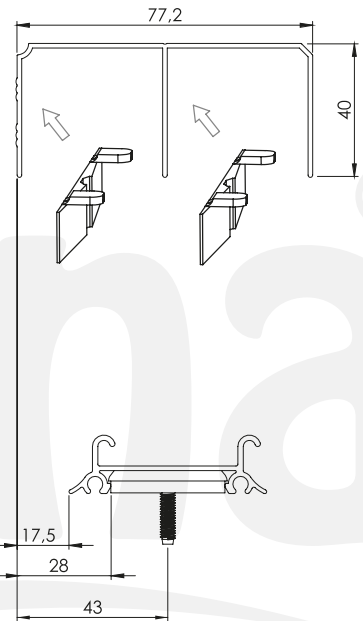
18 mm



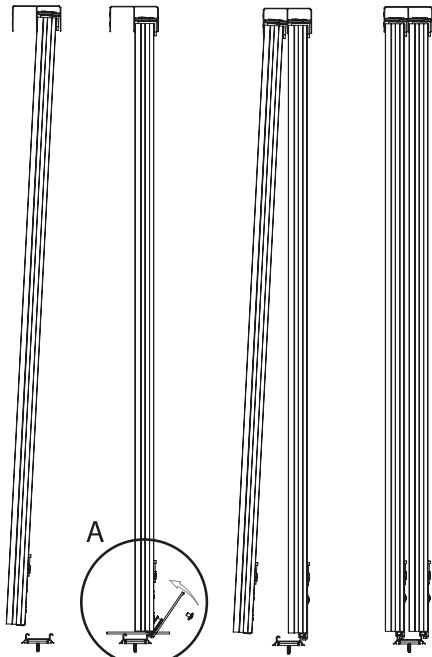
PH2

G, H, K, L**3**

PH2

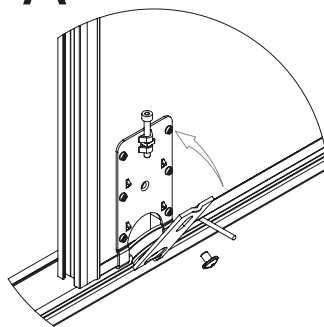
C, D, E, F**4**Čelo
vestavby

PH2

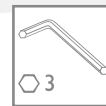
G**5**

A

A



PH2



3

6